



SWL

SOLAR WALL LIGHT

Project: _____ Type: _____

Name: _____ Date: _____



Size	9.13" x 8.69" x 4.78"	Lumens	850lm
Watts	8W	CCT	6000K
Battery	4000mAH/3.7V	IP Rating	IP65
Dimming	N/A	Materials	ABS, PC lens
Beam Angle	90°	Finish	White
CRI	>80	Lens	Clear
PF	0.9	Lifespan	35,000 Hours

OVERVIEW

CCT: 6000Kc

Applications: Wet (IP65)

Efficacy: 106lm/W

Dimming: N/A

LED Type: SMD2835

Lens Type: Clear

Operating Temp: -4F° to 122F°

Operating Humidity: 5%-95% RH

Lifespan: 35,000 Hours

Warranty: 2 Year Light, 1 Year

Battery

FEATURES

- Protected from the elements with an IP65 rating, making it suitable for rainy environments





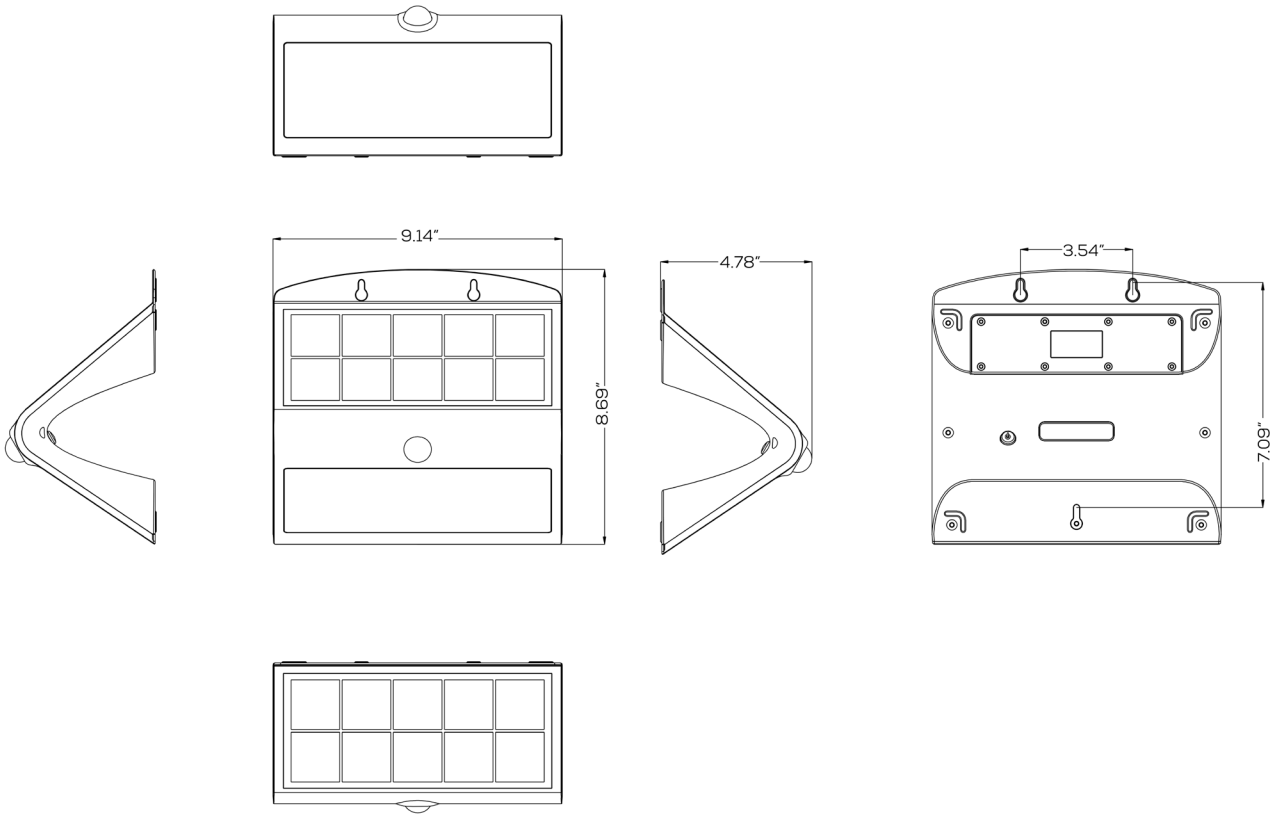
SWL

SOLAR WALL LIGHT

Project: _____ Type: _____

Name: _____ Date: _____

DIMENSIONS:





SWL

SOLAR WALL LIGHT

Project: _____ Type: _____

Name: _____ Date: _____

ORDER FORM:

(*) Special Order/Not Commonly Stocked

Custom Model Assembly

Fixture

SWL

CCT

6000K

Watts

72W

Beam Angle

25°

Battery

120-277V

SES-SWL-8W-BUTTERFLY
Example Model Number

SES - SWL - 6000K - 8W - 90° - 120-277V

Quantity

Fixture

CCT

Watts

Beam Angle

Battery

Common Stock Models:

Item #	Model #
10704	SES-SWL-8W-BUTTERFLY