

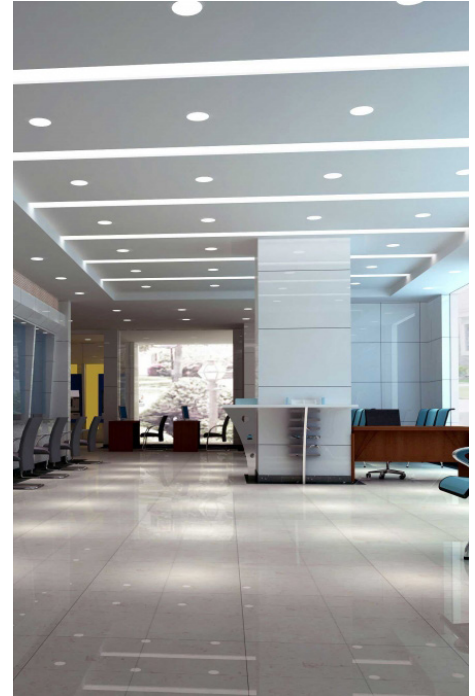


CDL06

CCT & WATTAGE TUNABLE 6" DOWNLIGHT

Project: _____ Type: _____

Name: _____ Date: _____



| | | | |
|---------------------------|-------------------------|--------------------|-----------------------------------|
| Size | Ø8.35" x 4.4" | Lumens | 2,000-4,000lm |
| Wattage Adjustable | 20W/25W/30W/ 35W/40W | CCT Tunable | 2700K+3000K+3500K- 4000K+5000K |
| Voltage | 120-277V | IP Rating | IP54 |
| Dimming | 0-10V | Materials | Aluminum, PC |
| Beam Angle | 80° | Finish | White |
| CRI | 80 | Lens | Frosted |
| PF | 0.9 | Lifespan | 50,000 Hours |

OVERVIEW

- CCT:** Tunable
- Applications:** IP54
- Efficacy:** 120lm/W
- Dimming:** 0-10V
- LED Type:** Bridgelux SMD2835
- Lens Type:** Frosted
- Driver:** Internal driver
- Operating Temp:** -4° to 104° F
- Operating Humidity:** 5%-85% RH
- Lifespan:** 50,000 Hours
- Warranty:** 5 Years

FEATURES

- CCT Tunable & Wattage Adjustable
- CRI of 90 renders light temperature consistently in various environments, giving colors true clarity

SARIN LED CCT & Wattage Tunable Downlights are commonly used in spaces with high ceilings like hotels, living spaces, schools, and offices. These highly customizable downlights are wattage adjustable, CCT tunable, and dimmable to 10%.

Extremely easy to install, this powerful, recessed downlight is equipped with a quick-connect case. This downlight is designed to reduce energy costs and maintenance intervals.





CDL06

**CCT & WATTAGE
TUNABLE 6"
DOWNLIGHT**

Project: _____ Type: _____

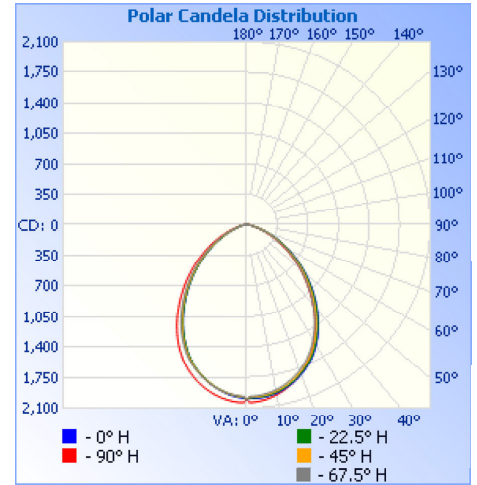
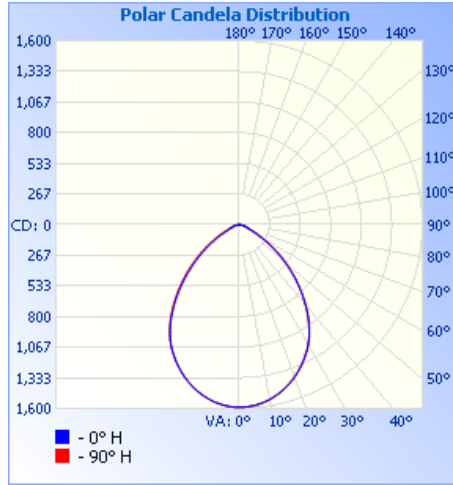
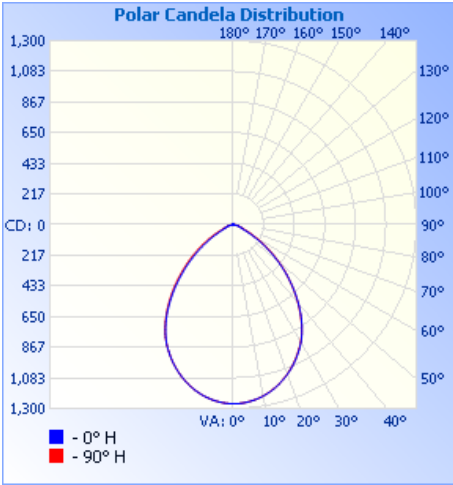
Name: _____ Date: _____

PHOTOMETRICS:

20W:

25W:

40W:



Illuminance at a Distance

| | Center Beam fc | Beam Width | |
|-------|----------------|------------|---------|
| 1.7R | 438 fc | 3.1 ft | 3.1 ft |
| 3.3R | 116 fc | 6.0 ft | 6.1 ft |
| 5.0R | 50.6 fc | 9.2 ft | 9.2 ft |
| 6.7R | 28.2 fc | 12.3 ft | 12.4 ft |
| 8.3R | 18.4 fc | 15.2 ft | 15.3 ft |
| 10.0R | 12.7 fc | 18.3 ft | 18.5 ft |

■ Vert. Spread: 85.0°
■ Horiz. Spread: 85.5°

Illuminance at a Distance

| | Center Beam fc | Beam Width | |
|-------|----------------|------------|---------|
| 1.7R | 550 fc | 3.1 ft | 3.1 ft |
| 3.3R | 146 fc | 6.0 ft | 6.1 ft |
| 5.0R | 63.5 fc | 9.2 ft | 9.2 ft |
| 6.7R | 35.4 fc | 12.3 ft | 12.4 ft |
| 8.3R | 23.1 fc | 15.2 ft | 15.4 ft |
| 10.0R | 15.9 fc | 18.3 ft | 18.5 ft |

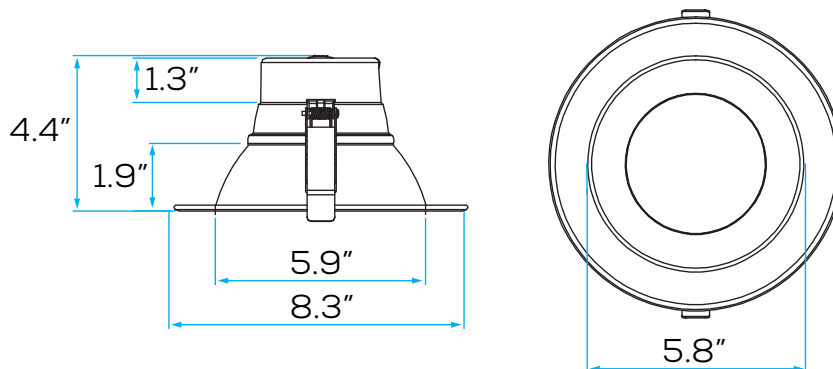
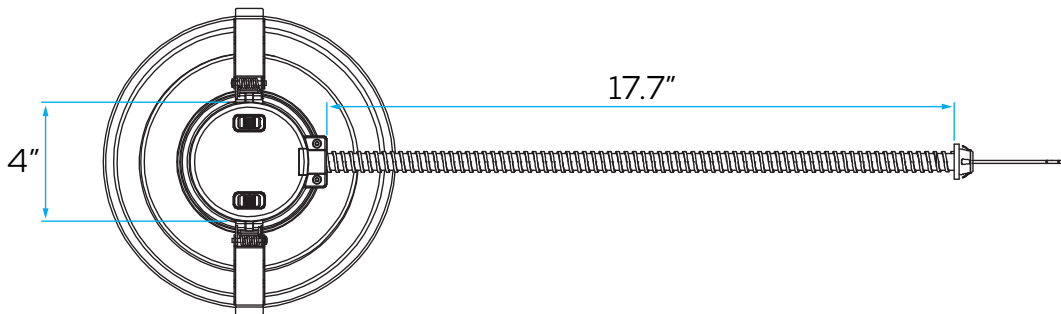
■ Vert. Spread: 85.0°
■ Horiz. Spread: 85.5°

Illuminance at a Distance

| | Center Beam fc | Beam Width | |
|-------|----------------|------------|---------|
| 1.7R | 691 fc | 3.3 ft | 3.4 ft |
| 3.3R | 183 fc | 6.4 ft | 6.5 ft |
| 5.0R | 79.9 fc | 9.7 ft | 9.9 ft |
| 6.7R | 44.5 fc | 13.0 ft | 13.3 ft |
| 8.3R | 29.0 fc | 16.1 ft | 16.4 ft |
| 10.0R | 20.0 fc | 19.4 ft | 19.8 ft |

■ Vert. Spread: 88.2°
■ Horiz. Spread: 89.4°

DIMENSIONS:





CDL06

CCT & WATTAGE TUNABLE 6" DOWNLIGHT

Project: _____ Type: _____

Name: _____ Date: _____

ORDER FORM:

(*) Special Order/Not Commonly Stocked

Custom Model Assembly

| | Fixture | CCT | Watts | Beam Angle | Voltage |
|---|---|---|---|--|---------|
| <input checked="" type="checkbox"/> DL254 | <input checked="" type="checkbox"/> 2700K | <input checked="" type="checkbox"/> 20W | <input checked="" type="checkbox"/> 90° | <input checked="" type="checkbox"/> 120-277V | |
| | <input checked="" type="checkbox"/> 3000K | <input checked="" type="checkbox"/> 25W | | | |
| | <input checked="" type="checkbox"/> 3500K | <input checked="" type="checkbox"/> 30W | | | |
| | <input checked="" type="checkbox"/> 4000K | <input checked="" type="checkbox"/> 35W | | | |
| | <input checked="" type="checkbox"/> 5000K | <input checked="" type="checkbox"/> 40W | | | |

CDL06-6-40-A5C5
Example Model Number

SES – DL254 – Tunable – Adjust. – 90° – 120-277V

| Quantity | Fixture | CCT | Watts | Beam Angle | Voltage |
|----------|---------|-----|-------|------------|---------|
|----------|---------|-----|-------|------------|---------|

Common Stock Models:

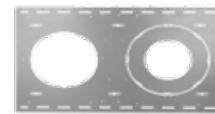
| Item # | Model # |
|--------|-----------------|
| 11142 | CDL06-6-40-A5C5 |

Optional Accessories:

| Item # | Model # |
|---------|-------------------------------|
| 41483-A | SES-CDL6-PLATE-TGRID (T-Grid) |
| 41483-B | SES-CDL6-PLATE-NC (Drywall) |



41483-A



41483-B