



# CL210

## SURFACE MOUNT CANNISTER

Project: \_\_\_\_\_ Type: \_\_\_\_\_

Name: \_\_\_\_\_ Date: \_\_\_\_\_

CL2105



CL2106



<b>Size</b>	CL2105: 4.53"H x 3.54"D CL2106: 6.10"H x 4.25"D
<b>Watts</b>	7W
<b>Voltage</b>	90-264V
<b>Dimming</b>	No
<b>Beam Angle</b>	80°
<b>CRI</b>	80
<b>PF</b>	0.95

<b>Lumens</b>	CL2105: 700lm CL2106: 1,200lm
<b>CCT</b>	3000K
<b>IP Rating</b>	IP65
<b>Materials</b>	Aluminum, tempered glass
<b>Finish</b>	Black
<b>Lens</b>	Tempered glass

### OVERVIEW

**CCT:** 3000K

**Applications:** Indoor or Outdoor (IP65)

**Efficacy:** 0.8

**Dimming:** N/A

**LED Type:** COB

**Lens Type:** Tempered glass

**Operating Temp:** 5° to 122°

**Operating Humidity:** 10% to 90%RH

**Lifespan:** 20,000 hours

**Warranty:** 2

SARIN Cannister Ceiling Lights are designed to provide functional lighting in a fashionable fixture. These lights are IP65 rated, so they are safe for outdoor use. The 80° beam angle and 3000K Color Temperature offer a warm, directed light. Use these lights indoor or outdoor!





# CL210

## SURFACE MOUNT CANNISTER

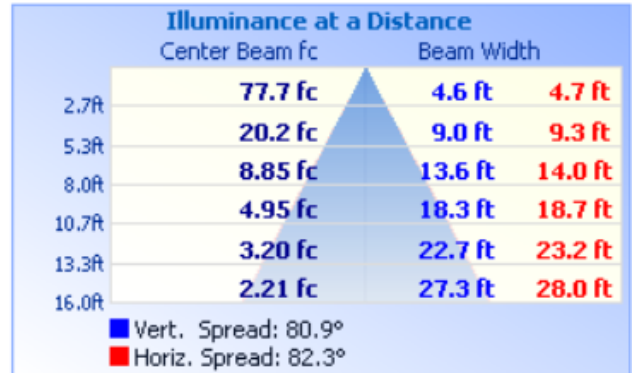
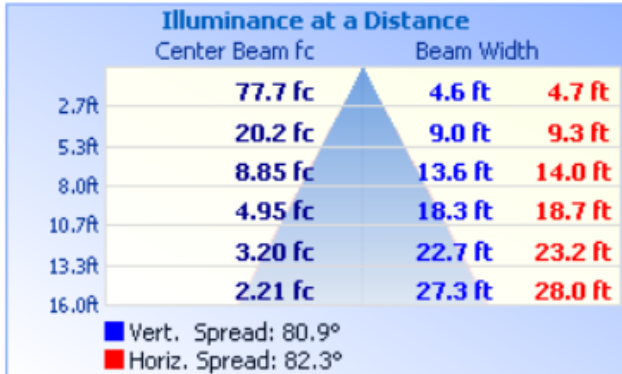
Project: \_\_\_\_\_ Type: \_\_\_\_\_

Name: \_\_\_\_\_ Date: \_\_\_\_\_

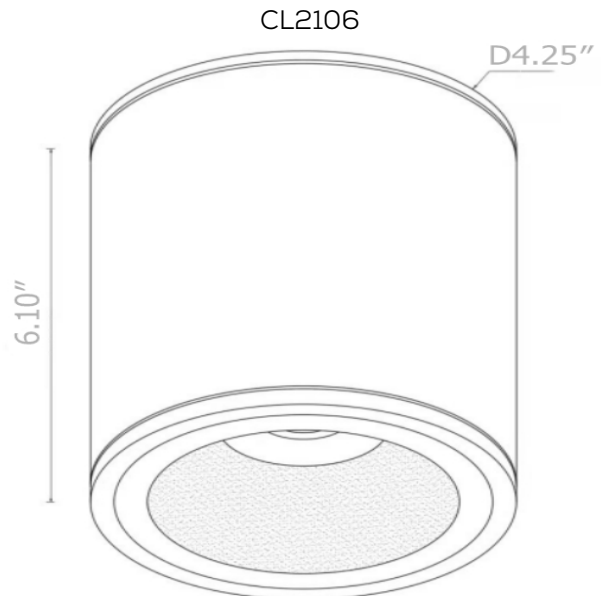
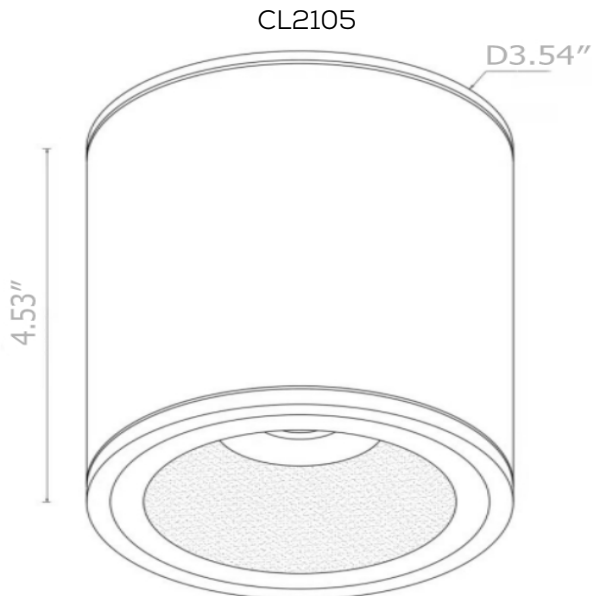
### PHOTOMETRICS:

CL2105

CL2106



### DIMENSIONS:





# CL210

## SURFACE MOUNT CANNISTER

Project: \_\_\_\_\_ Type: \_\_\_\_\_

Name: \_\_\_\_\_ Date: \_\_\_\_\_

### ORDER FORM:

(\*) Special Order/Not Commonly Stocked

Custom Model Assembly

	Fixture	CCT	Watts	Beam Angle	Voltage
<input type="checkbox"/> CL2105	<input checked="" type="checkbox"/> 3000K	<input type="checkbox"/> 7W	<input checked="" type="checkbox"/> 80°	<input checked="" type="checkbox"/> 90-264V	
<input type="checkbox"/> CL2106		<input type="checkbox"/> 12W			

SES-CL2105-3000-7  
Example Model Number

Quantity	<b>SES</b>	-	<b>3000K</b>	-	<b>80°</b>	-	<b>90-264V</b>
	Fixture		CCT		Beam Angle		Voltage

### Common Stock Models:

Item #	Model #
11258	SES-CL2105-3000-7
11259	SES-CL2106-3000-12