

LED DOWNLIGHT SLIM TUNABLE

INSTALLATION INSTRUCTIONS



WARNING

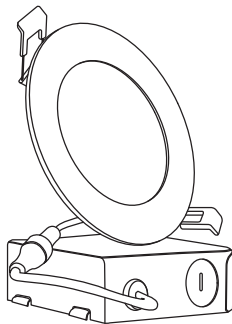
RISK OF ELECTRIC SHOCK. DISCONNECT MAIN POWER AT FUSE OR CIRCUIT BREAKER BEFORE INSTALLING OR SERVICING THE FIXTURE.

I SAFETY INSTRUCTIONS

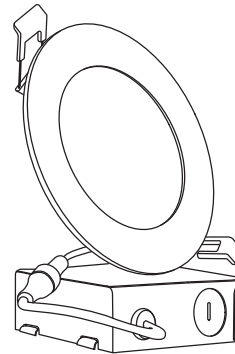
1. Read instructions carefully before attempting to install this light.
2. Disconnect power before installing or servicing.
3. This light must be wired in accordance with the local codes and ordinances.

II DOWNLIGHT SLIM MODELS

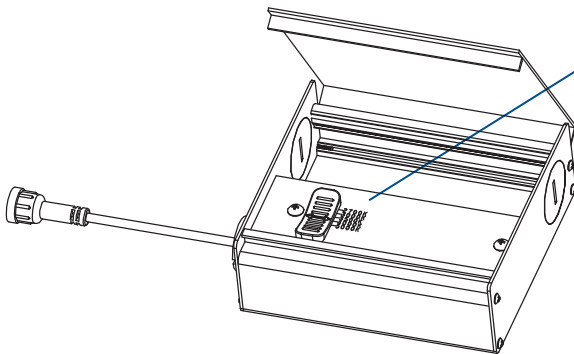
4"



6"



II COLOR TEMPERATURE SETTING



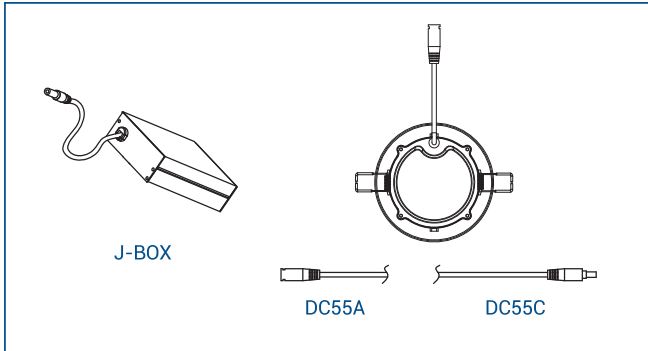
Adjustable Color Temperature Button

Adjust the color temperature by switching the button on the back to 2700K, 3000K, 3500K, 4000K or 5000K. Set your preferred color temperature before you install the light.

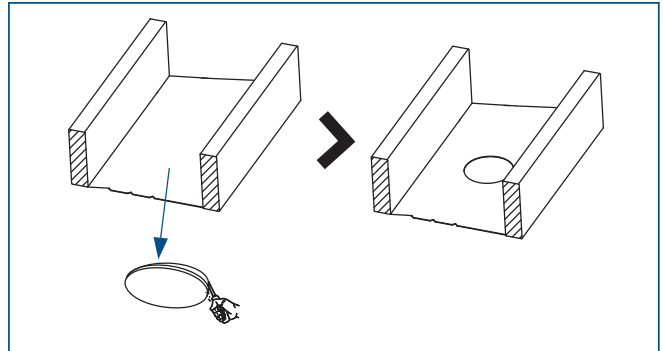
LED DOWNLIGHT SLIM TUNABLE

INSTALLATION INSTRUCTIONS

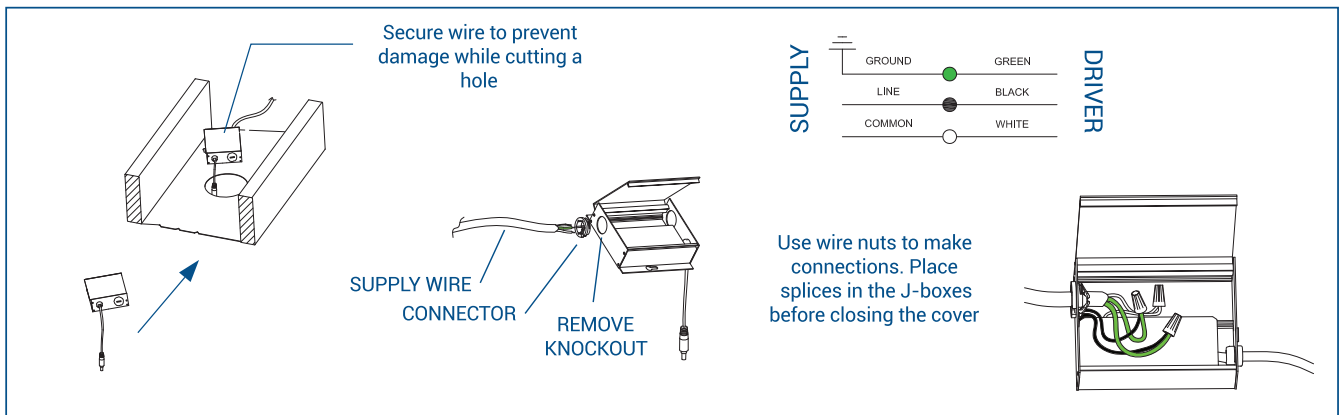
IV INSTALLATION INSTRUCTIONS



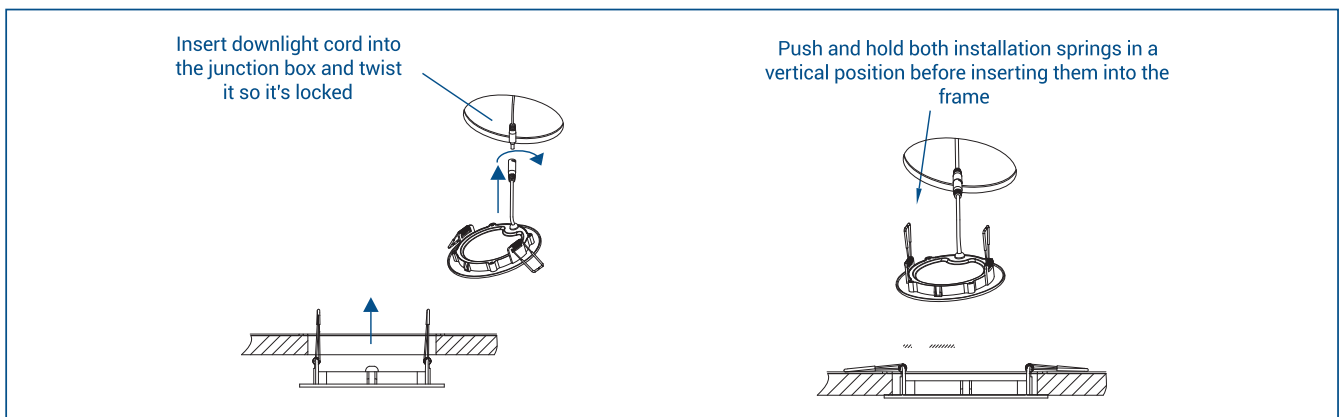
1. Included downlight elements.



2. Select a desired method for cutting the hole. Do not cut the hole bigger than the plate opening.



3. Secure junction box to the frame plate.



4. Connect the power cords and insert the downlight into the frame.