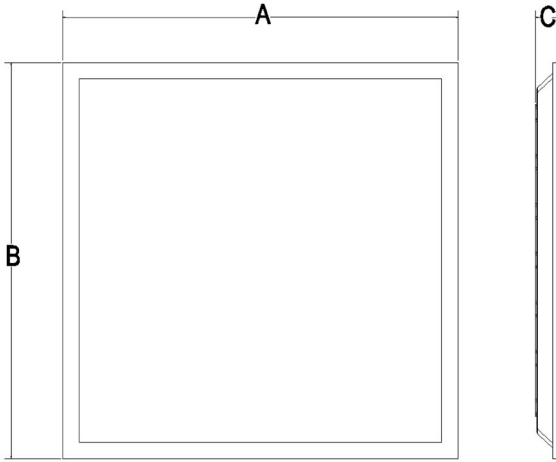


## SPECIFICATION

### LED Panel Light



Maximum overall	A	B	C
2*2ft	603mm	603mm	35mm
2*4ft	1213mm	603mm	35mm

## FEATURES

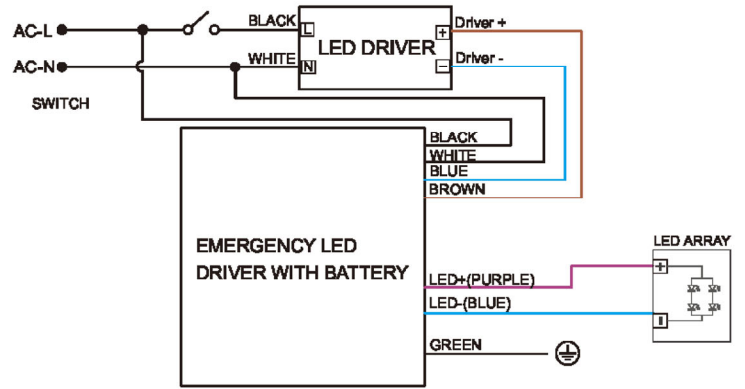
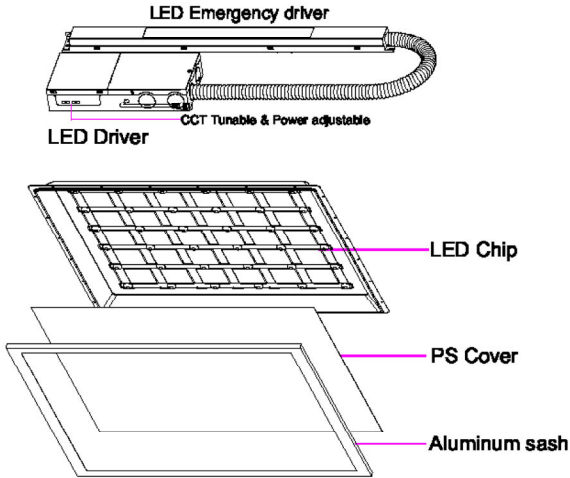
Input voltage:	AC100-277V
Operating frequency:	50/60Hz
Power factor:	> 0.95
Ambient temperature range:	-20°C ~+45°C
Color Temp:	3000/4000/5000K
Dimmable:	3-in-1 dimming
THD:	≤10%
IP Rating:	IP40
CRI:	>Ra80
Beam angle:	120°

- Luminous Flux:>110lm/w
- Housing material:6063-T5
- Selectable emergency power 15W by 2x2ft, and 20W by 2x4ft
- Standby for 90 minutes
- 5 years' warranty

## PARAMETER

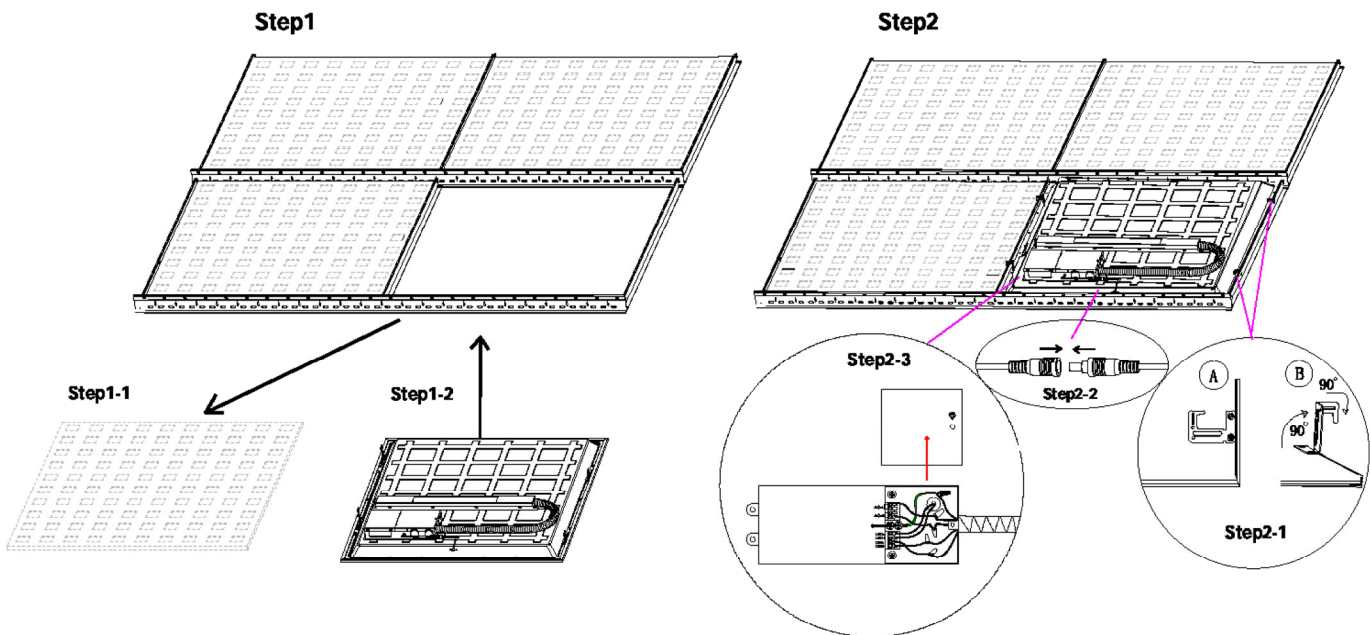
Length	Product code	Certification	CRI	Wattage	Description Function	Lumens	Packing/carton	G.W./carton
						3000/4000/5000K		
2*2FT	ZS-BL2*2-K40-CCDD	NO	>80	20W/30W/40W	3-in-1 dimming(0-10V;PWM;Rx) CCT Tunable & Power adjustable	2200/3300/4400LM	645*260*645mm 4 pieces 1*40HQ Loading=2592pcs	16kg
2*4FT	ZS-BL2*4-K60-CCDD	NO	>80	40W/50W/60W	3-in-1 dimming(0-10V;PWM;Rx) CCT Tunable & Power adjustable	4400/5500/6600LM	1255*260*645mm 4 pieces 1*40HQ Loading=1296pcs	22kg

# MOUNTING GUIDES



1. DO NOT MATE CONNECTOR UNTIL INSTALLATION IS COMPLETE AND AC POWER IS SUPPLIED.  
2. TEST ACCESSORY LEADS-OBSERVE PROPER POLARITY WIRING.

## INSTALLATION INSTRUCTION



- Step 1:** Make sure of all the power is off before installing. Remove the one ceiling tile that you need to install light fixture on. Then place the light fixture on the T-bar carefully and make sure it is correctly in place and secure.
- Step 2:** Lift the 4 buckles on the back of the panel up by 90° then bend the top part of the buckles 90° towards the direction where you can anchor the light fixture to the T-bar.
- Step 3:** Place the driver on top of the lighting fixture in the back. Connect the cable between the driver and the lighting fixture. Open the driver's junction box and connect the AC wire to the driver correctly (L=black & N=white)

### Warning:

Make sure all the power is off before installation.  
All the installations are required to be done by professionals.