

# LED Wall Pack Light Instruction

## Application:

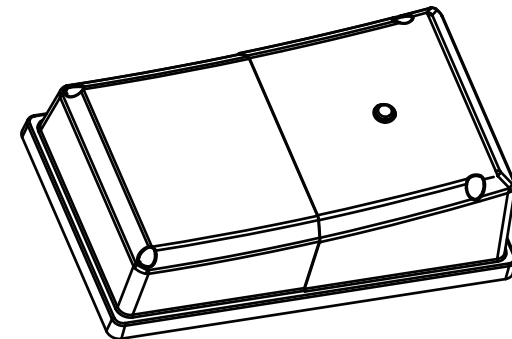
Available in industrial lighting, landscape lighting, courtyard, building, hotel, building exterior, etc.

## Caution:

1. Do not use the electric generator to test the LED light.
2. Please abide by related country, regional and local law and regulations when install this fixture.
3. Please don't install the fixture when raining to lower the risk of electric shock and avoid the failure.

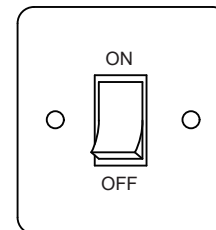
## Note:

1. To avoid possibility of electrical shock or fire, the installation personnel must have professional electric knowledge.
2. Please wear gloves to avoid injury before installation.
3. If any smoke or spark of the wire happened, please turn off the power immediately and notify relevant personnel.

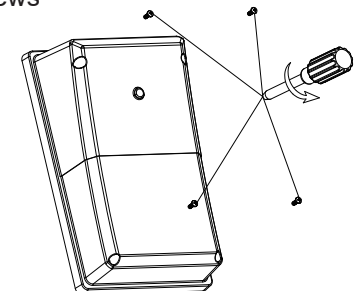


## Installation I:

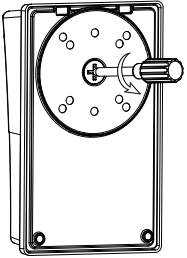
1. Turn off the power



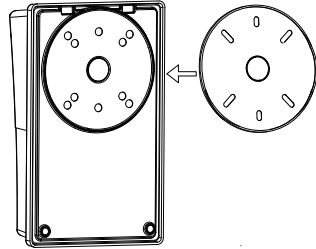
2. Remove the rubber plug and loosen 4 screws



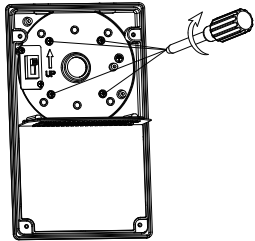
3. Remove the 1/2 end cap



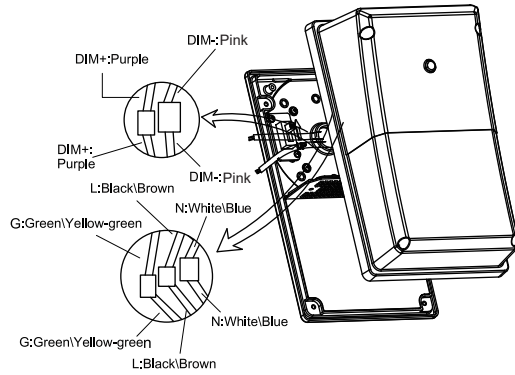
4. Peel off the yellow sticker and paste it on the round area of the bottom plate



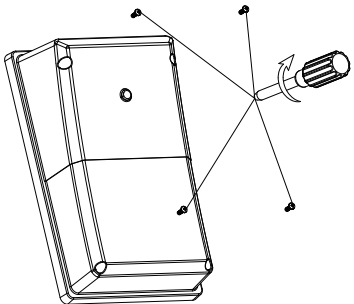
5. Fix the bottom plate on the round plate



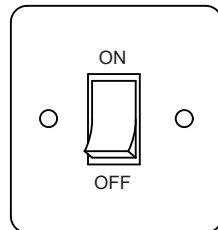
6. Make wiring connection and make sure the good protection



7. Fix the fixture by 4 screws, block up the two holes with rubber plugs



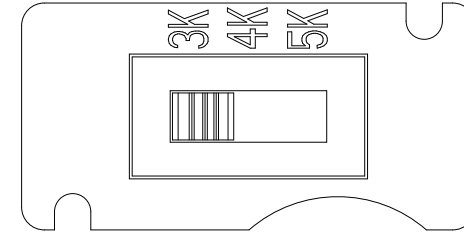
8. Make sure good wiring and screws fastening, then turn on the power



Special functions instruction:

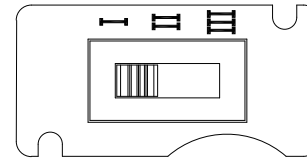
1. Color temperature adjustable

1. The color temperature of the lamp turns to 3000K when the DIP switch is set to 3K.
2. The color temperature of the lamp turns to 4000K when the DIP switch is set to 4K.
3. The color temperature of the lamp turns to 5000K when the DIP switch is set to 5K.



2. Wattage adjustable

Turn the DIP switch to different position, the power of the lamp will change to the corresponding wattage.



or

