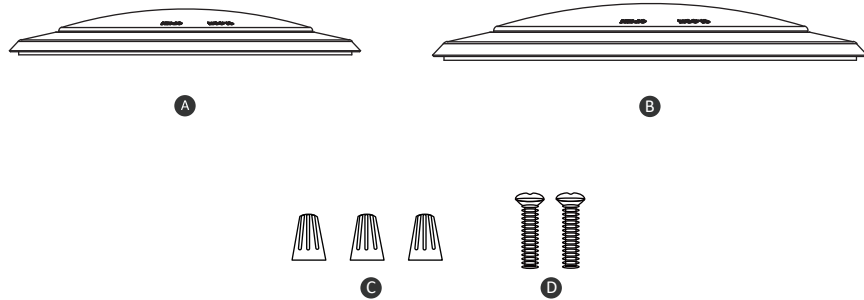


4&6 INCH 5CCT LED DISK LIGHT Installation Instructions



PACKAGE CONTENTS

SURFACE MOUNT					
PART	DESCRIPTION	QUANTITY	PART	DESCRIPTION	QUANTITY
A	4 INCH 5CCT LED DISK LIGHT	1	B	6 INCH 5CCT LED DISK LIGHT	1
C	Wire Nuts	3	C	Wire Nuts	3
D	Screw	2	D	Screw	2

UNPACKING

Thoroughly inspect the fixture for freight damage. Freight damage should be reported to the delivery carrier.

DIMMER RECOMMENDATION

This unit may operate on other dimmers we haven't tested with. (Input 120V 60Hz)

LEVITON	6672, RNL06, IPL06, DSL06, 6674
LUTRON	TG-600PR-WH, S-600PR-WH, CTCL-153PDH-WH, TGCL-153PH-LA, SLV-600P-AL, DV-600PR-WH, SCL-153PH-WH, GT-600P, DVCL-153P, MSCL-OP153M, PD-6WCL, MACL-153M//MA-R

IMPORTANT

Please read carefully and save these instruction, as you may need them at a later date. When using electrical equipment, basic safety precautions should always be followed as below:

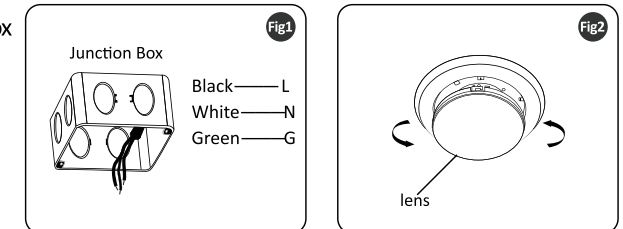
READ AND FOLLOW BELOW SAFETY INSTRUCTIONS

GENERAL: All electrical connections must be in accordance with local and National Electrical Code (N.E.C) standards. If you are unfamiliar with connections obtain the services of a qualified electrician.

- Risk of fire or electric shock.
- Disconnect main power at fuse or circuit breaker before installing or servicing the fixture.
- Do not make or alter any open holes in an enclosure of wiring or electrical components during kit Installation.
- To prevent wiring damage or abrasion do not expose wiring to edges of sheet metal or other sharp objects.
- This device is not intended for use with emergency exit.
- This fixture is 5%-100% dimmable. Please refer to a compatible dimmer list.
- Suitable for Wet Locations.
- To prevent electrical shock, please wear rubber shoes and work gloves when installing the fixture.

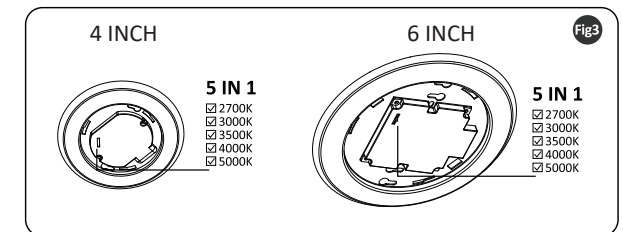
INSTALLATION STEPS

1. Make sure power off and the Junction Box is securely mounted before installation. (4" Disk Light is compatible with 3.5" Junction Box, 6" Disk Light is compatible with 2.7"&3.5"&4" Junction Box.), see Fig1.

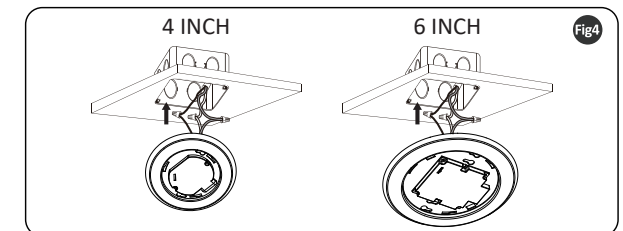


2. Remove lens by twisting counter clockwise, see Fig2.

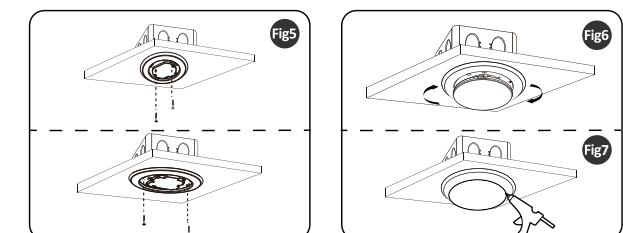
3. Select lamp color desired with the CCT switch at the front of the disk light, see Fig3.



4. Connect the supply wires to the wires of disk light by using 3 wire nuts. Attach white to white, black to black, green to the ground wire, see Fig4.



5. Arrange the wires into the Junction Box. Align appropriate slots in the disk light with the holes in the Junction Box. Use 2 screws to attach the disk light, flush with the ceiling, see Fig5.



6. Placing the lens back into it's original position by twisting it in clockwise direction, see Fig6.

7. Seal the edge of the fixture and the lens by using the waterproof sealant, see Fig7.

