

LED Garden Light Installation Instruction

Rev: A0 80461

Cautions:

1. Do not use the electric generator to test this LED light.
2. Please abide by related country, regional and local law and regulations when install this fixture.
3. Please turn off the power before installation or maintenance.
4. Proper earth grounding is required to ensure safety.
5. Make the lighting facing downward vertically after installation

Notice:

1. To avoid possibility of electrical shock or fire, the installation personnel must have professional electric knowledge.
2. Please wear gloves to avoid injury before installation.
3. If any smoke or spark of the wire happened, please turn off the power immediately and notify relevant personnel.

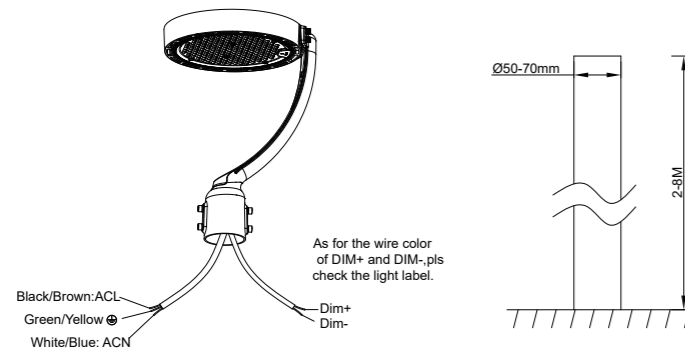
Attention:

1. Please check if there is any damage during shipping. If so, please contact manufacturer timely.
2. Please read the installation instruction carefully to check whether all the accessories are complete. After confirmation, install the fixture according to installation steps.

Instructions:

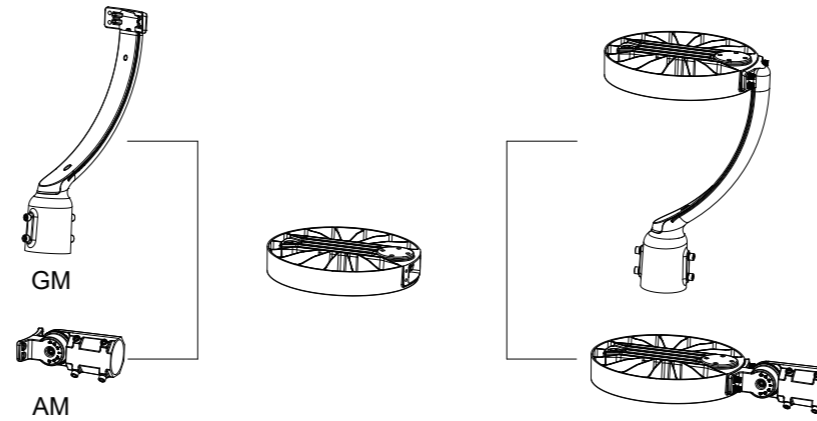
1. This product has dimming function.
2. 3 dimming functions are available in this LED light.
 - (1). Constant current can be achieved by 0-10VDC dimming.
 - (2). PWM signal dimming.
 - (3). Variation of resistance unit dimming (Please choose the appropriate dimming way according to your needs. You can also choose not to use this function).
3. Choose the wire connection ways, dimming ways and installation ways according to your needs and the led fixture purchased.

Wiring Diagram:



Optional Brackets and Installation Instructions

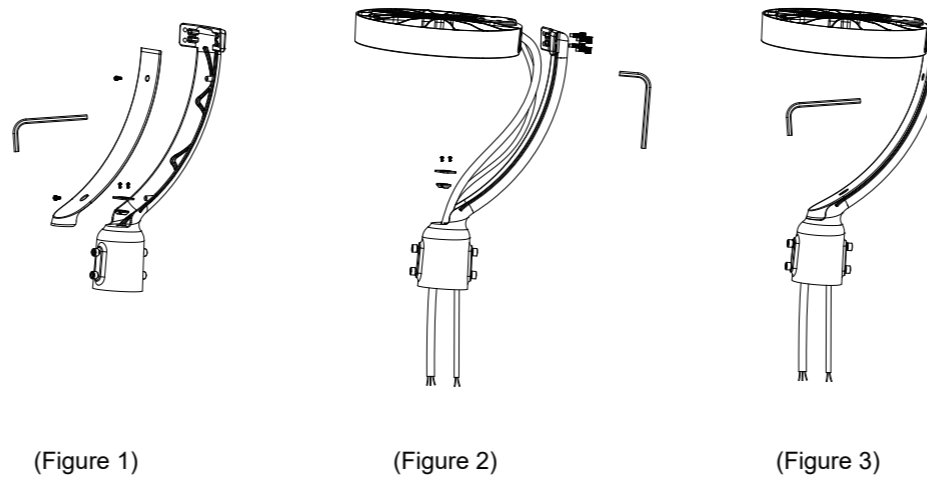
There are 2 optional brackets for this fixture. The following is garden light and shoebox fixtures with different Brackets



Installation Instructions with different brackets

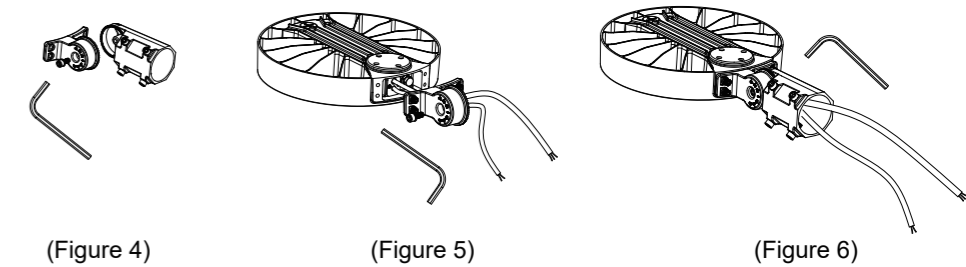
1. GARDEN MOUNTING (e=GM)

- Step 1: Separate the bracket with tool. (Figure 1)
- Step 2: Put input wire of the light across the bracket. (Figure 2)
- Step 3: Let input wire go through the bracket and lock the bracket. (Figure 3)



2. ADJUSTABLE FITTER MOUNTING (e=AM)

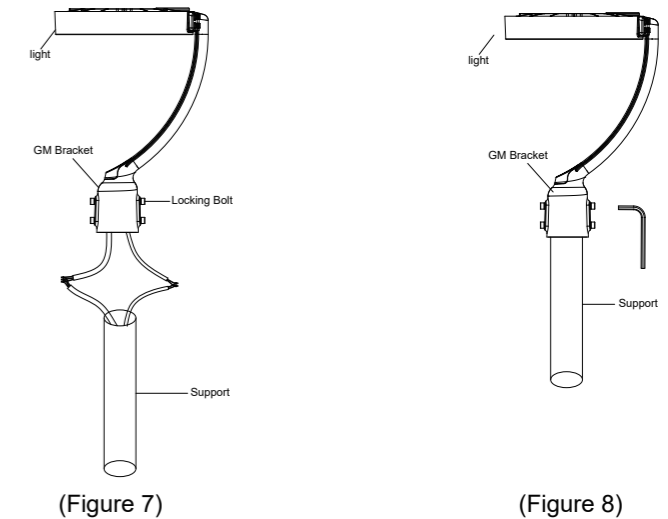
- Step 1: Separate the bracket with tool. (Figure 4)
- Step 2: Put input wire of the light across the bracket. (Figure 5)
- Step 3: Let input wire go through the bracket and lock the bracket. (Figure 6)



Installation of LED Light:

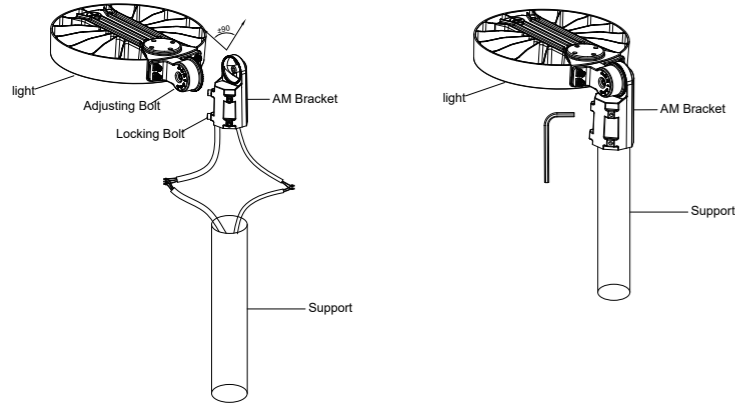
1. GARDEN MOUNTING (e=GM)

- Step 1: Connect the wire correctly and put the wire into the pole.
Fasten the locking bolts between slip fitter and the pole. (Figure 7)
- Step 2: Loosen the fixing bolts and adjusting bolts, align the fixture to required angle.
Tighten adjusting bolt and fixing bolts after the angle is confirmed. (Figure 8)



2. ADJUSTABLE FITTER MOUNTING (AM)

Step 1: Connect the wire correctly and put the wire into the pole.
 Fasten the locking bolts between slip fitter and the pole.(Figure 9)
 Step 2: Loosen the fixing bolts and adjusting bolts, align the fixture to required angle.
 Tighten adjusting bolt and fixing bolts after the angle is confirmed.(Figure 10)
 Notice: Adjustable angle range is 0~+/-90°(Figure 9)

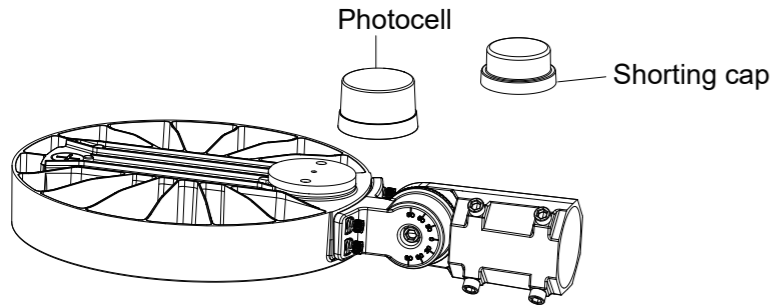


(Figure 9)

(Figure 10)

Instructions for Photocell

When the photocell function is required, photocell should be installed on the back of light;
 When it's not required,shorting cap should be installed on the back of light.(Figure 11)

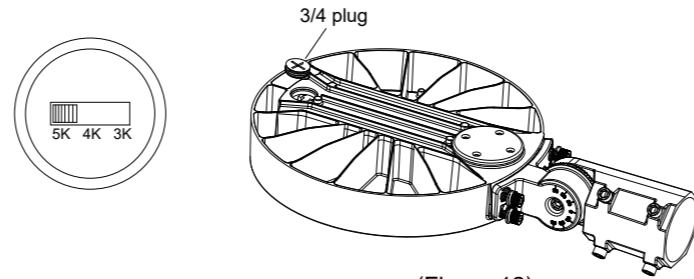


(Figure 11)

Special Functions Optional:

1. Color temperature adjustment (Figure 12)

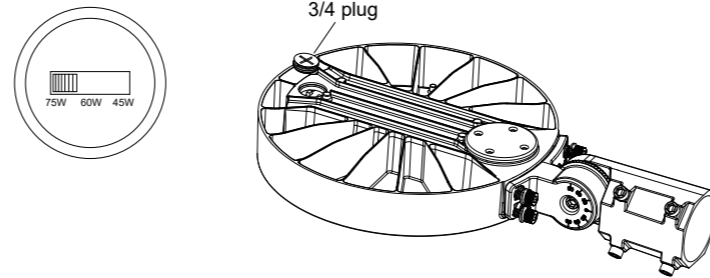
1. Unscrew the 3/4 plug ;
2. Adjust the switch to get the desired color temperature according to the label on the fixture;
3. Install and tighten the 3/4 plug.



(Figure 12)

2. Wattage adjustment (Figure 13)

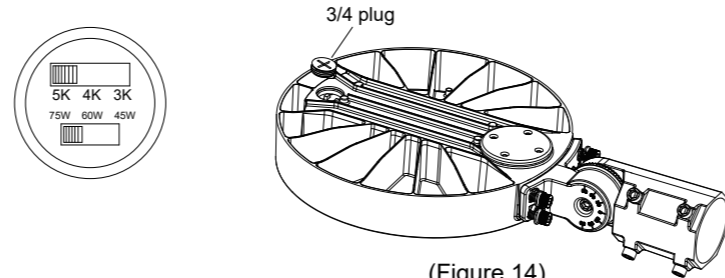
1. Unscrew the 3/4 plug ;
2. Adjust the switch to get the desired Wattage according to the label on the fixture;
3. Install and tighten the 3/4 plug.



(Figure 13)

3. CCT & Wattage adjustment (Figure 14)

1. Unscrew the 3/4 plug ;
2. Adjust the integrated switch for CCT & Wattage adjustable to get the desired CCT and Wattage according to the label on the fixture;
3. Install and tighten the 3/4 plug.



(Figure 14)