

INSTALLATION (CONTINUED)

ATTACHING THE HOUSING

Drill a 1/4 in. pilot hole into the marked screw locations. Insert wall anchors (Parts DD). Start the screws (CC) but do not tighten fully. Slide the Housing (A) over until the narrow legs of the keyhole slots are under the heads of the screws (CC). Finish tightening the screws (CC) until they are firmly seated and the Housing (A) is tightly secured to the mounting surface. (Figure 7)

NOTE: The wall anchors (DD) are only to be used for mounting the fixture onto plaster or drywall surfaces

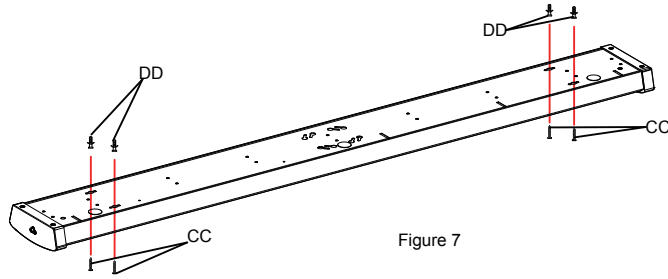


Figure 7

INSTALLATION (CONTINUED)

ATTACHING THE DIFFUSER

To install diffuser (B)-starting at one end of housing,insert diffuser slot onto edge of housing-See Fig.5 Carefully squeeze diffuser to engage opposite side with housing. Continue this action down length of diffuser until fully installed onto housing.(Figure 5)

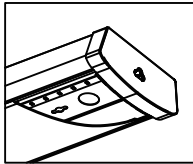
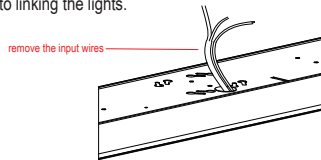


Figure 5

CONNECTION OPTIONS

NOTE:1,If you may connect up between 2 and 10 lights with Flush connector(EE), Input electric must come from one light.

2, If the lights are linked, the input wires are exposed and will be live. So have to remove the input wires prior to linking the lights.

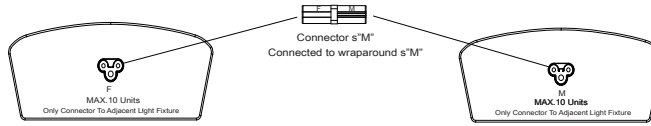


3, If no lights are connected,use end cap (Part FF) .

FLUSH MOUNT

Use included flush mount connector to array lights in a back to back orientation.

Match flush connector(EE) and to and on wraparound light.



OPERATION

TESTING THE LIGHT FIXTURE

- Turn on the circuit breaker and light switch.

NOTE:When first turned on wait about 1 minute for the circuitry to calibrate.

TROUBLESHOOTING

PROBLEM	POSSIBLE CAUSE	SOLUTION
Light will not come on.	A.Light switch is turned off. B.Fuse is blown or circuit breaker is turned off. C.Incorrect circuit wiring	A.Turn light switch on. B.Replace fuse or turn circuit breaker on. C.Verify that fixture is wired properly.

FCC WARNING:

WARNING:Changes or modifications to this unit not expressly approved by the party responsible for compliance could void the user authority to operate the equipment.

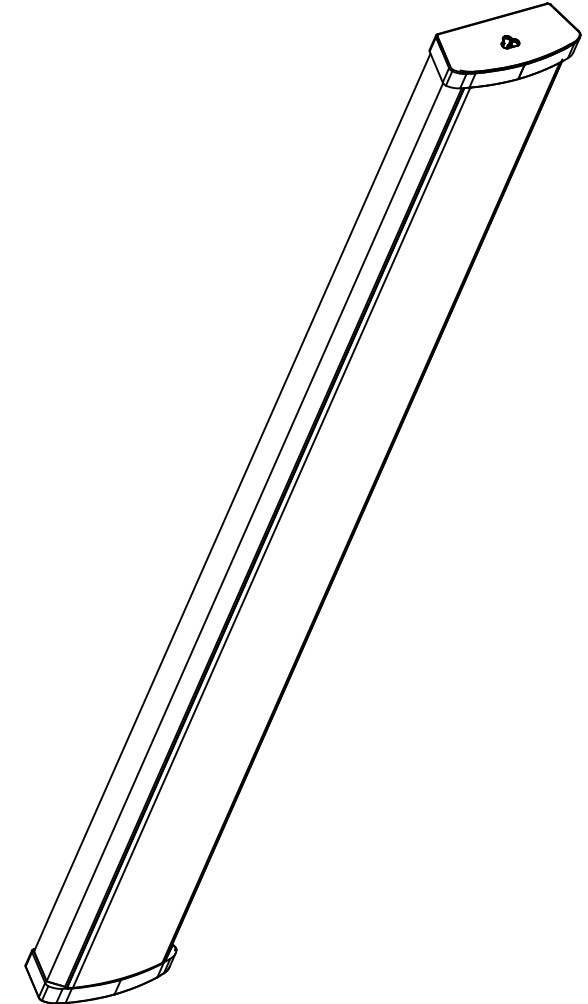
NOTES:This equipment has been tested and found to comply with the limits for a Class B digital device,pursuant to part 15 of the FCC Rules.These limits are designed to provide reasonable protection against harmful interference in a residential installation.This equipment generates,uses and can radiate radio frequency energy and,if not installed and used in accordance with the instructions,may cause harmful interference to radio communications.

However,there is no guarantee that interference will not occur in a particular installation.if this equipment does cause harmful interference to radio or television reception,which can be determined by turning the equipment off and on,the user is encouraged to try to correct the interference by one or more of the following measures:

- Reorient or relocate the receiving antenna.
- Increase the separation between the equipment and receiver.
- Connect the equipment into an outlet on a circuit different from that to which the receiver is connected.
- Consult the dealer or an experienced radio/TV technician for help.

LED 5.5" WRAPAROUND FIXTURE INSTALLATION INSTRUCTION

MODEL: SES-WR03-CCT-40



IMPORTANT SAFETY INSTRUCTIONS

IMPORTANT: Read all safety precautions and installation instructions carefully before installing or servicing this fixture

⚠️ DANGER-RISK OF SHOCK-DISCONNECT POWER BEFORE INSTALLATION

- To reduce the risk of electrical shock or other personal injury, ensure the power is turned off at the fuse or breaker box before making any electrical connections.
- To reduce the risk of electrical shock, and to assure proper operation, this fixture must be adequately grounded. To accomplish proper grounding, there must be a separate ground wire (yellow/green) contact between this fixture and the ground connection of your main power supply panel.
- Do not handle any energized fixture or attempt to energize any fixture with wet hands or while standing on a wet or damp surface or in water.
- It is recommended that a qualified electrician perform all wiring. Consult a qualified electrician to ensure correct branch circuit conductor. This fixture must be wired in accordance with all national and local electrical codes.
- Assure that the fixture is mounted onto a structurally sound surface that will support the fixture. This fixture is designed for use in a 120VAC, 60Hz fused circuit.
- Do not look into the lights.

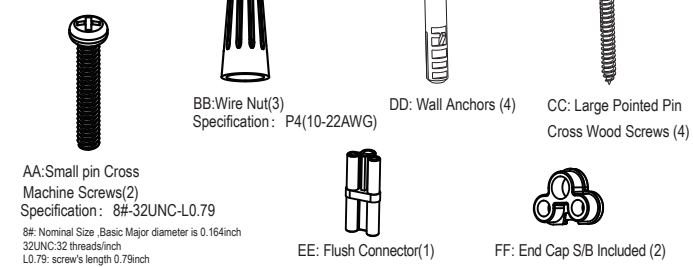
WARNING: Failure to comply with these instructions could result in a potentially fatal electric shock and/or property damage.

PRE-INSTALLATION

PLANNING INSTALLATION

- Turn off the electrical power at the fuse or circuit breaker box before installing or servicing any part of this fixture.
- Carefully remove the fixture from the carton and check to make sure that all parts are included. Be careful not to misplace any of the screws or parts needed for installing the fixture.

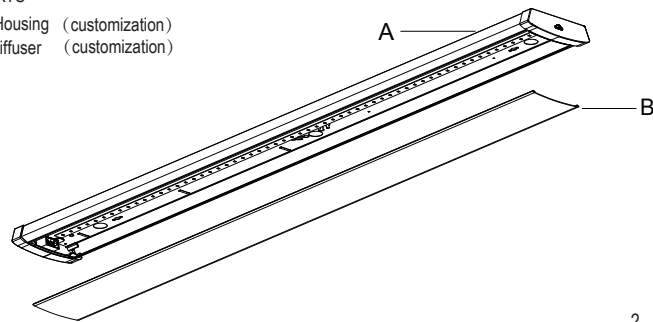
HARDWARE INCLUDED



PRE-INSTALLATION (CONTINUED)

PARTS

- A- Housing (customization)
- B- Diffuser (customization)



INSTALLATION

CAUTION: Before beginning installation turn off the circuit breaker and light switch.

STEP 1

- Junction box is required for the assembly.
- Remove diffuser (Part B) from housing (Part A) - near one end of housing, grasp edge of diffuser and carefully squeeze to release diffuser from housing. Continue down length of diffuser to fully disengage.

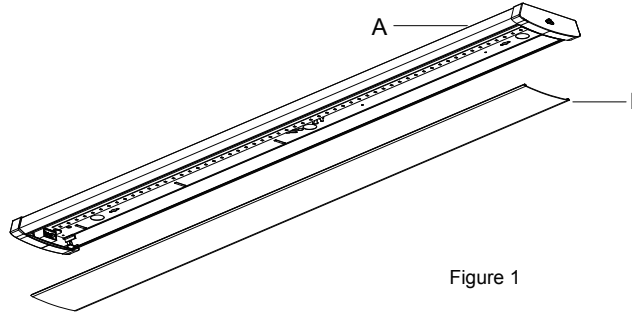


Figure 1

INSTALLATION (CONTINUED)

First-way

CONNECTING THE WIRES

- Install the two screws (AA) into the junction box. (Figure 2)

NOTE: Leave 1/4" of screw exposed to accommodate housing.

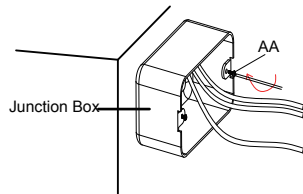


Figure 2

- Connect the house ground wire to the yellow/green ground wire on the mounting plate (Part A) using the wire nut (BB).
- Connect the house white wire to the mounting plate (Part A) white wire using the wire nut (BB).
- Connect the house black wire to the mounting plate (Part A) black wire using the wire nut (BB).

NOTE: For proper connection, place the wire nuts (BB) over wires and twist clockwise until tight. (Figure 3)
OPTIONAL: Wrap connected wire nuts with electrical tape.

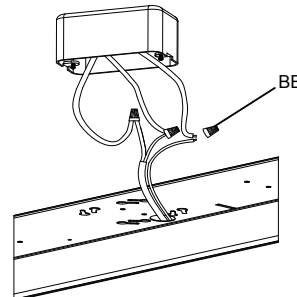


Figure 3

INSTALLATION (CONTINUED)

ATTACHING THE HOUSING

- Attach the Housing to the junction box by aligning the holes on the Housing (Part A) with the screws on the junction box.
- Turn housing clockwise to lock in place and tighten screws to ensure the fixture is secure and will not move. (Figure 4)

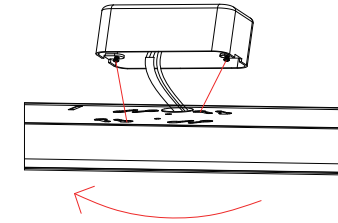


Figure 4

ATTACHING THE DIFFUSER

To install diffuser (B) - starting at one end of housing, insert diffuser slot onto edge of housing - See Fig. 5. Carefully squeeze diffuser to engage opposite side with housing. Continue this action down length of diffuser until fully installed onto housing. (Figure 5)

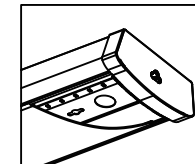


Figure 5

INSTALLATION (CONTINUED)

Second-way

CONNECTING THE WIRES

- Connect the AC wires to the corresponding wires (BLACK to BLACK, WHITE to WHITE and GROUND to GROUND) in the junction box and secure using wire nuts (Part BB). (Figure 6)

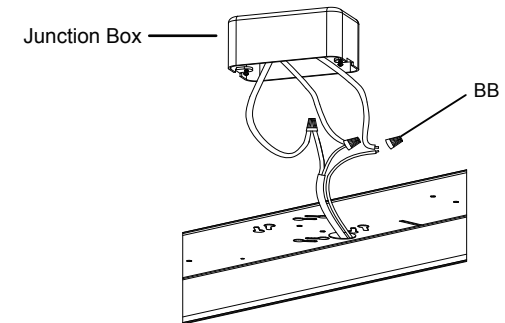


Figure 6