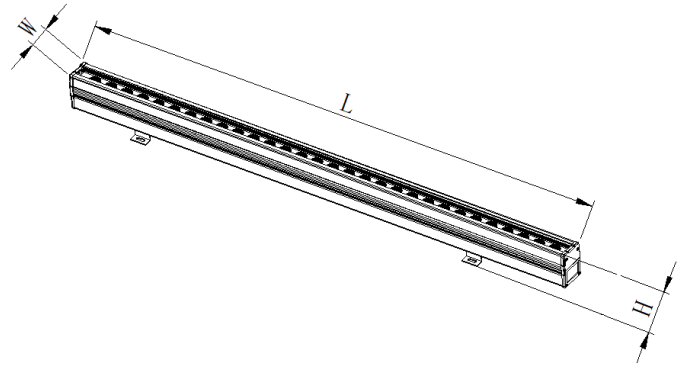


LED WALL WASHER INSTRUCTION

I .Feature:

Quality aviation die-casting Aluminium, Polishing, Nano electrostatic spraying, large plate tough heat dissipation design, ensure long life span in the bad environment

With temperaturedd glass and silicon sealed IP65 design, water proof, cross-ion proof, used in rainy and cold area.



II .Attention:

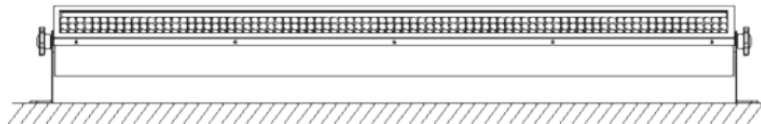
1. Make sure that the voltage is within the permissible range
2. Switch off the power supply before installation
3. Keep away from the cover and do not stare at the lamp when it is electrified
4. The luminaire should be installed by a professional electrician.
5. Storage temperature: $-65^{\circ}\text{C} \sim +50^{\circ}\text{C}$, working temperature: $-30^{\circ}\text{C} \sim +50^{\circ}\text{C}$, best working temperature: $-0^{\circ}\text{C} \sim +30^{\circ}\text{C}$
6. Because the luminaire includes glass accessories, please be careful when moving it.

III. Installation diagram

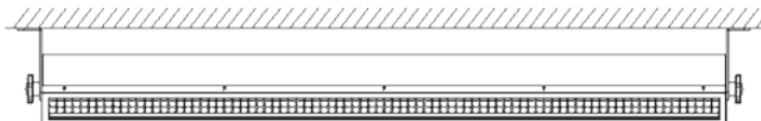
Installation

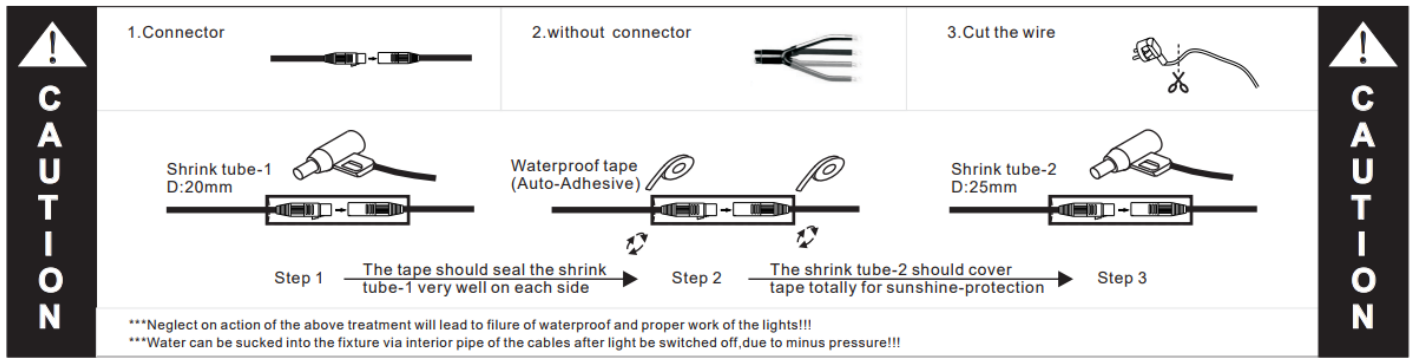
Methods: This fixture can be set up on a flat surface or hanged on the wall or under a ceiling. If you want to hang it, please be sure that you will fix the screw to the wall or ceiling very carefully to avoid any problem.

a) Flat surface installation



b) Hanging installation





IV.Maintenance

1. Before Maintain, please cut out the power.
2. Clean the luminaire glass regularly, to keep the good transmission of light.
3. Keep the luminaire heat sinker and housing clean, to make sure good heat dissipation.
4. Please not use water or corrosion liquid to clean the luminaire, better use dry staff.
5. When change the power supply, use the screw driver to open the back cover, connect the wire based on the original color.