



**3036R-
P34**

**TEMPERED
GLASS FRAMED
LIGHTED MIRROR**

Project: _____ Type: _____

Name: _____ Date: _____



Size	36" W x 30" H x 1.3" D
Watts	35W
Voltage	100-120V
Dimming	Non-Dimming
Beam Angle	120°
CRI	>90
PF	≥ 0.9

Lumens	3,850lm
CCT	2700K-4500K-6500K
IP Rating	IP44
Materials	Aluminum, Tempered Mirror
Finish	Matte Black, Matte Gold
Lens	Frosted
Lifespan	50,000 Hours

OVERVIEW

- CCT:** Tunable
- Applications:** I44
- Efficacy:** 110lm/W
- Dimming:** Non-Dimming
- LED Type:** SMD2835
- Lens Type:** Frosted
- Driver:** SNAPPY 50W
- Operating Temp:** up to 113F°
- Operating Humidity:** 10%-65% RH
- Lifespan:** 50,000 Hours
- Warranty:** 3 Years

FEATURES

- 4mm Tempered Glass Mirror
- Automatic Defogger
- Copper-Free, Anti-Corrosion
- Touch On / Off CCT Adjustable Control and Dimmer
- Safety-Backed, Anti-Shatter
- High Energy Efficiency



SARIN Tempered Glass Framed Lighted Mirrors are widely used as a functional decoration for restrooms in residential and commercial spaces. Available with a frosted lens, this mirror can switch between three color temperatures. What sets this mirror apart from traditional mirrors is the tempered glass. Tempered glass offers a whole new level of security versus standard glass mirrors, offering impeccable durability and peace of mind when it comes to shipping and handling.

There is a heater behind the glass to prevent fog and a switch in the middle of the mirror. This fixture can be mounted vertically and horizontally. Mirrors are available in two finish options: Matte Black and Matte Gold.





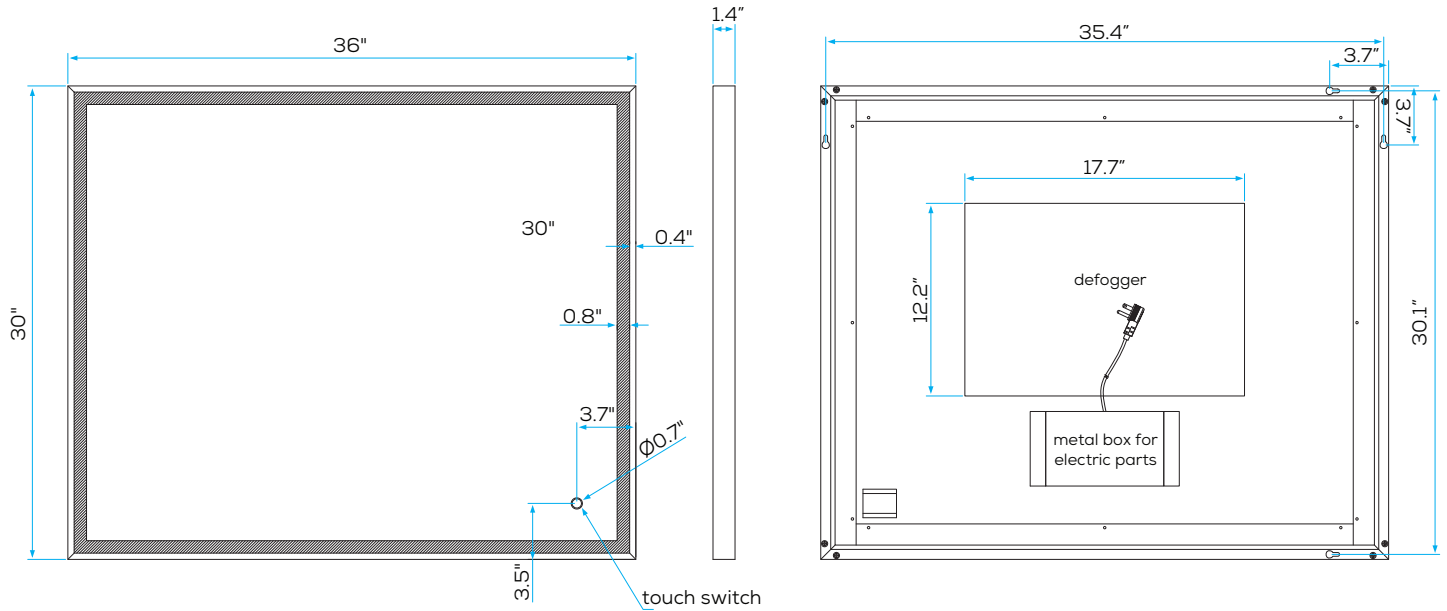
3036R-
P34

TEMPERED GLASS FRAMED LIGHTED MIRROR

Project: _____ Type: _____

Name: _____ Date: _____

DIMENSIONS:



IMPORTANT SAFEGUARDS:

1. Installation, service and maintenance should be performed by a qualified licensed electrician.
2. Make all electrical and grounded connections in accordance with national electrical code and any applicable local code requirements.
3. Disconnect power at fuse or circuit breaker before installing or servicing.
4. Review the diagrams thoroughly before beginning.
5. Do not mount in hazardous locations, or near gas or electric heaters.
6. Do not let power cords touch hot surfaces.
7. Equipment should be mounted in locations where it will not be subjected to tampering by unauthorized personnel.
8. Do not use equipment for other than its intended use.



**3036R-
P34**

**TEMPERED
GLASS FRAMED
LIGHTED MIRROR**

Project: _____ Type: _____

Name: _____ Date: _____

ORDER FORM:

(*) Special Order/Not Commonly Stocked

Custom Model Assembly

	Fixture	CCT	Watts	Beam Angle	Voltage
<u>SES-3036R-P34-MB</u> Example Model Number	<input checked="" type="checkbox"/> 3036R-P34	<input checked="" type="checkbox"/> Tunable	<input checked="" type="checkbox"/> 35W	<input checked="" type="checkbox"/> 120°	<input checked="" type="checkbox"/> 100-120V

_____	SES	–	3036R-P34	–	Tunable	–	35W	–	120°	–	100-120V
Quantity			Fixture		CCT		Watts		Beam Angle		Voltage

Common Stock Models:

Item #	Model #
11365	SES-3036R-P34-MB
11366	SES-3036R-P34-MG