

LED GARDEN LIGHT SERIES

SES-GS 75W



Technical Specifications

Watts:	75W
Luminous Flux:	7700lm
CCT:	4000-5700k
Voltage:	AC100-240/100-277V,50/60Hz
Beam Angle:	120°
IP:	IP65
CRI:	≥80Ra
PF:	>0.9
Lifespan:	50,000 hours



Features

SARIN Energy is proud of its new high power LED garden light series which is a revolutionary product series that adopts the high quality LEDs to directly replace traditional, and it's suitable for City Slow Lane, Narrow Lane, Residential Area, Plaza, Sightseeing Area, Village Road, etc.



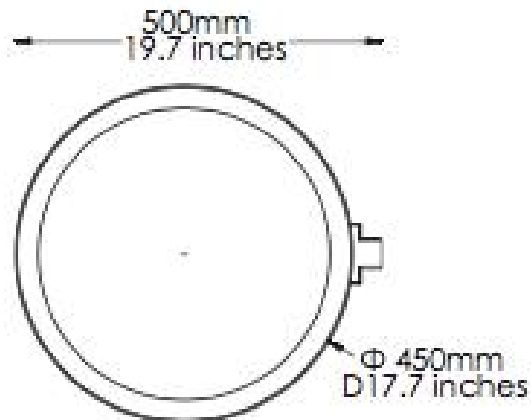
DESIGNLIGHTS



RoHS

Dimensional Diagrams (in.)

SES-GS-5700-75F



Isolux Diagrams

SES-GS-5700-75F

