

# Gooseneck LED Light

SES-GSNK-XXXX-25  
SES-GSNK-XXXX-42



## Technical Specification

Model No.	SES-GSNK-XXXX-25 SES-GSNK-XXXX-42
Description	25W/42W, Gooseneck LED Light
Dimmable	No
Dimensions	255mm x 350mm x 540mm 355mm x 648mm x 465mm
Input Voltage	100-277 VAC
Lumens	2000 lm / 4000lm
Certificates	ETL/cETL,ES



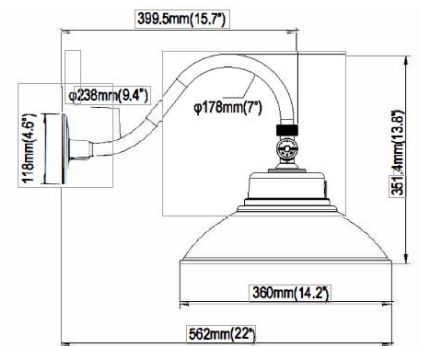
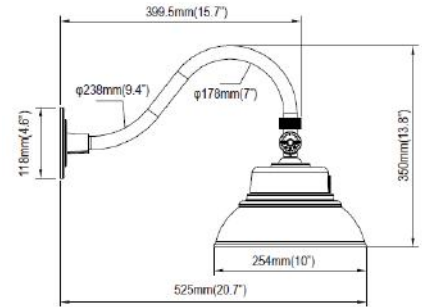
LM79  
LM80



# Specifications

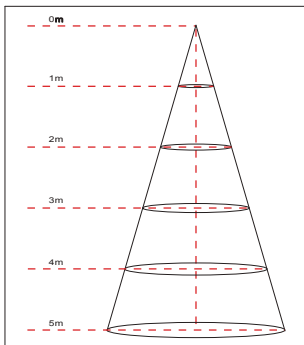
Model#	SES-GSNK-XXXX-25
Description	25W & 42W Gooseneck LED Light
Voltage Input	100-277Vac, 50/60HZ
Lumen output	2000lm & 4000lm
Color	3000K,5000K,5700K
Temperature CRI	Ra>80
Power Factor	0.95
Operating Temp.	-25°C~50°C
IP Rating	IP65
Certificates	ETL/cETL , ES
Warranty	5 years
L70 life span Housing	>50000Hrs
Material	Die Casting Aluminum
Dimmable	No
Weight	1.5 Kg (3.3 pound) Optional
Photocell Packaging	255mm x 350mm x 540mm
Dimension	355mm x 648mm x 465mm

# Product Size



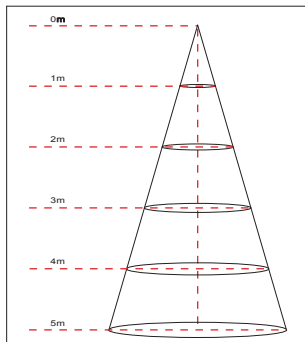
# Lux Chart

25w



Height	Average Lux (lx)	Light range (dia.)
1M	1892	289cm
2M	473	578cm
3M	210	867cm
4M	118	1156cm
5M	53	1734cm

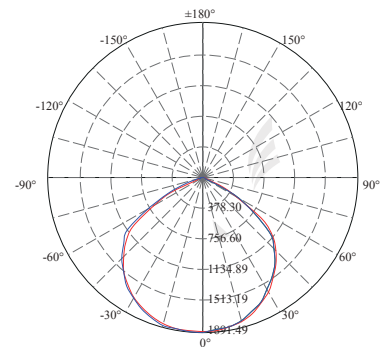
42w



Height	Average Lux (lx)	Light range (dia.)
1M	1892	289cm
2M	473	578cm
3M	210	867cm
4M	118	1156cm
5M	53	1734cm

# Photometrics

25w



42w

