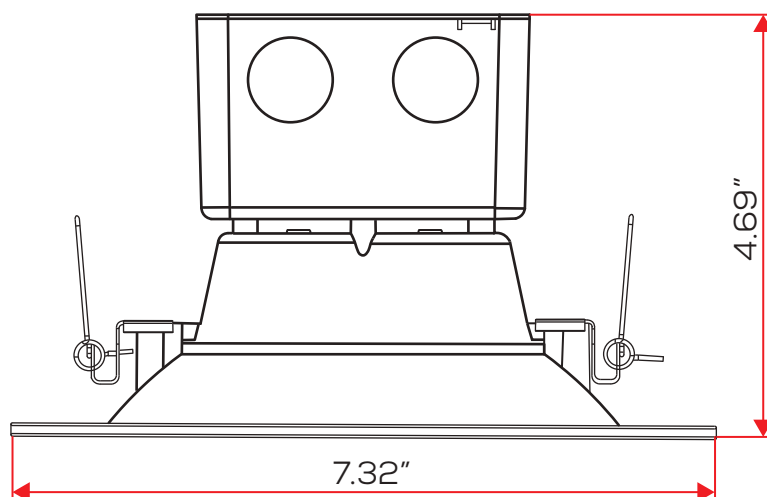


LED DOWN LIGHT SERIES SES-JDL 15W



Technical Specifications

Watts:	15W
CCT:	2700K 3000K 4000K 5000k
Voltage:	110-277V AC DIMMABLE AT 120V
CRI:	>90Ra
Material:	Aluminum + Acrylic
PF:	0.9
Lumens:	1000-1100lm
Dimmable:	10% - 100%
Certificate:	ETL, Energy Star, FCC, Lighting Facts, LM79, LM80



INSTALLATION INSTRUCTIONS

1. Shut off power before installation, Cut a corresponding hole in the ceiling. A template is provided to assist with laying out the hole location. When running the supply wire(s), allow an additional 18 in. of wire at each installation in order to make the electrical connections on the room side of the ceiling hole
2. Remove the Junction Box Screw(s) holding the Junction Box Cover. Pass the supply wire(s) through the appropriate knockout hole on Junction Box. Make the electrical connections to fit inside Junction Box following the ELECTRICAL CONNECTIONS. Make sure all connections are secure, tuck all wires inside Junction Box and reinstall Junction Box Cover using Junction Box Screws.
3. Press the top portion of the Remodel Clips against the side of the Housing Assembly.
4. Push the Housing Assembly with the top side of the Remodel Clips through the hole until tight. Continue to push the Housing Assembly until the fixture snaps into place with the trim tight against the ceiling surface..

