

LED A SERIES

SES-A19
6W | 9W
SES-A21
15W



Technical Specifications

Watts: 6W | 9W | 15W

Size: See Reverse

Lumen Output: 470lm | 806lm | 1600lm

CCT: Warm White | 3000K
Cool White | 5000K

Voltage: 120V

Beam Angle: 240°

Certifications: UL | ES | FCC

Base: E26

CRI: 80

PF: ≥ 0.5

Lifespan: 25,000 hours



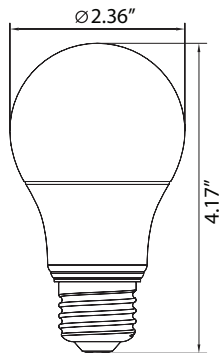
Features

SARIN Energy is proud of its high-quality LED Bulb series. This revolutionary product adopts the latest technology, replacing traditional bulbs with energy-efficient LEDs. These bulbs are suitable for broad applications and will reduce energy bills to provide significant energy savings.

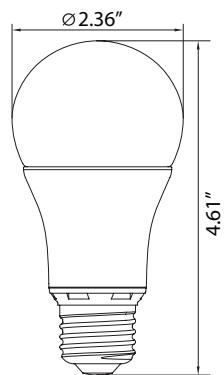


Dimensional Diagrams (in.)

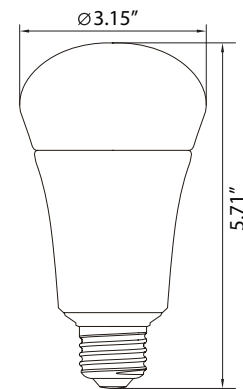
SES-A19-6W



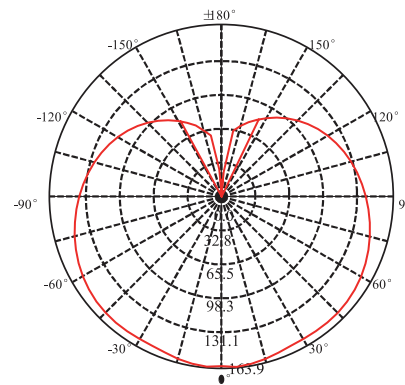
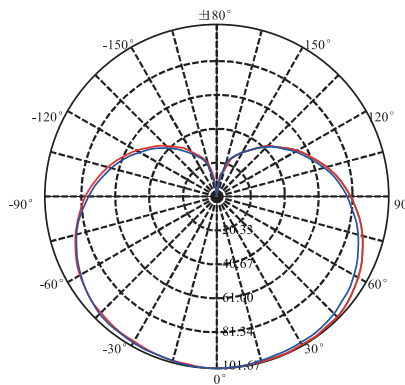
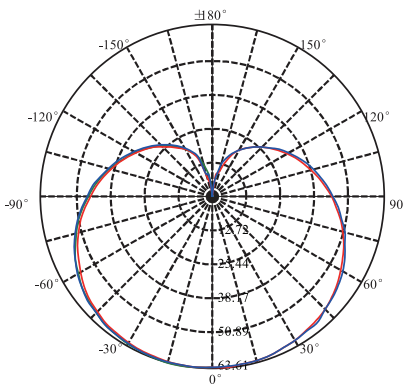
SES-A19-9W



SES-A21-15W



Isolux Diagrams



Model Numbers

SES-A19-3000-6
SES-A19-5000-6

SES-A19-3000-9*
SES-A19-4000-9*

SES-A21LED-3000-15
SES-A21LED-5000-15