

LED FLOOD LIGHT SERIES

SES-FLT

30W | 50W | 80W | 100W
150W | 220W | 300W

Yoke Mount



Knuckle Mount (only available in 30W/50W)



Technical Specifications

Watts:	30W 50W 80W 100W 220W 300W
Size:	See Reverse
Lumen Output:	3000lm 4900lm 8600lm 11,000 lm 16,400lm 24,000lm 32,5000
CCT:	Cool White 5700K
Voltage:	AC100-277V (210V/480V Available)
Beam Angle:	120°
Qualifications:	DLC CE cUL RoHS
CRI:	>75Ra
PF:	0.9
IP Rate:	IP65
Lifespan:	50,000 hours



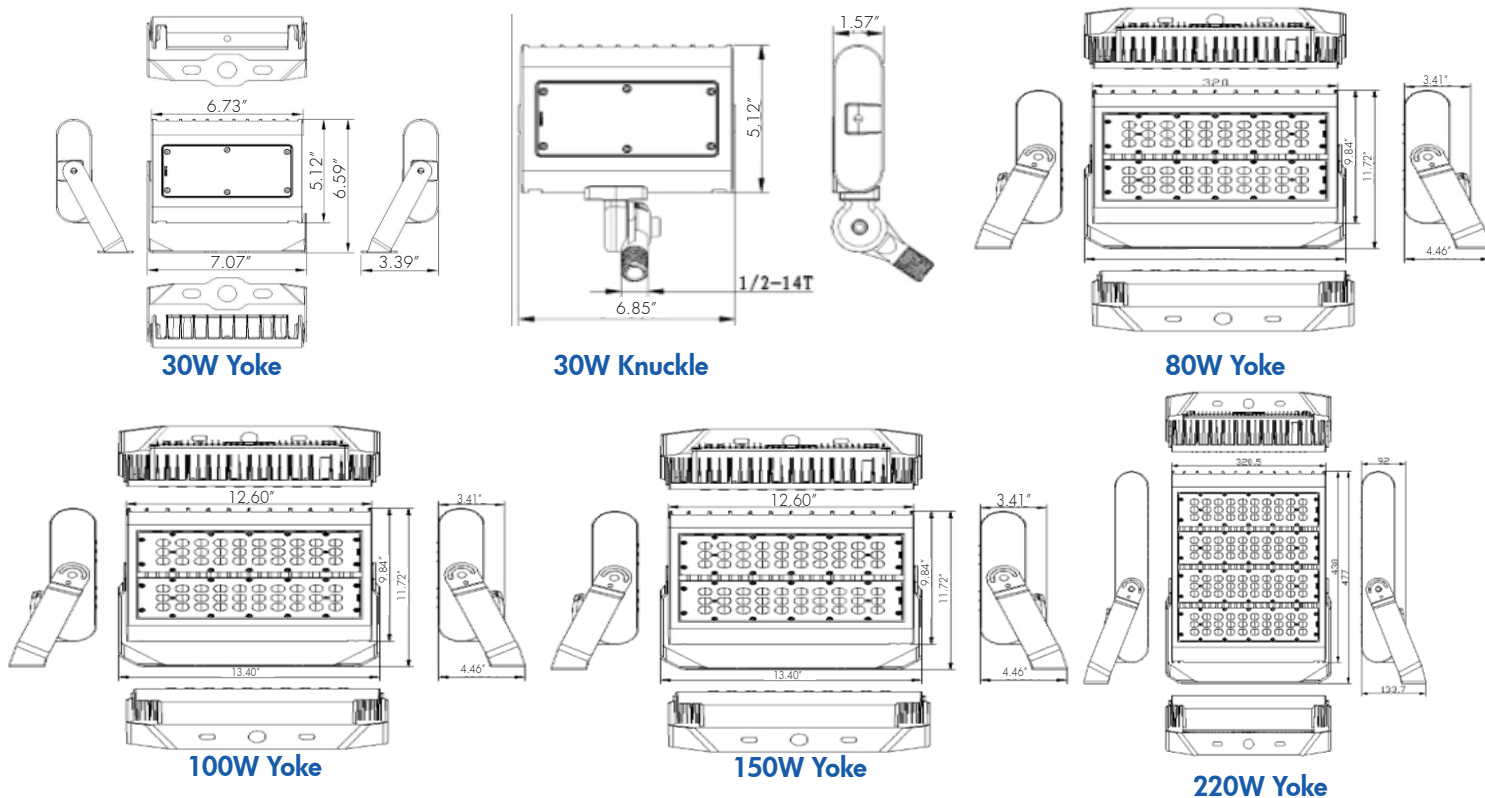
Features

SARIN Energy is proud of its high-quality UL rated LED Flood Lights. This product adopts the latest LED technology with high lumen efficiency combined with a IP-65 rating and durable design. SARIN LED flood lights provide a great replacement for traditional metal halides and HPS flood lights providing up to 70% energy savings. SARIN LED flood lights provide excellent light distribution which increase the safety and beauty of outdoor areas. These lights are suitable for a variety of applications and have a long-life span of 50,000 hours.

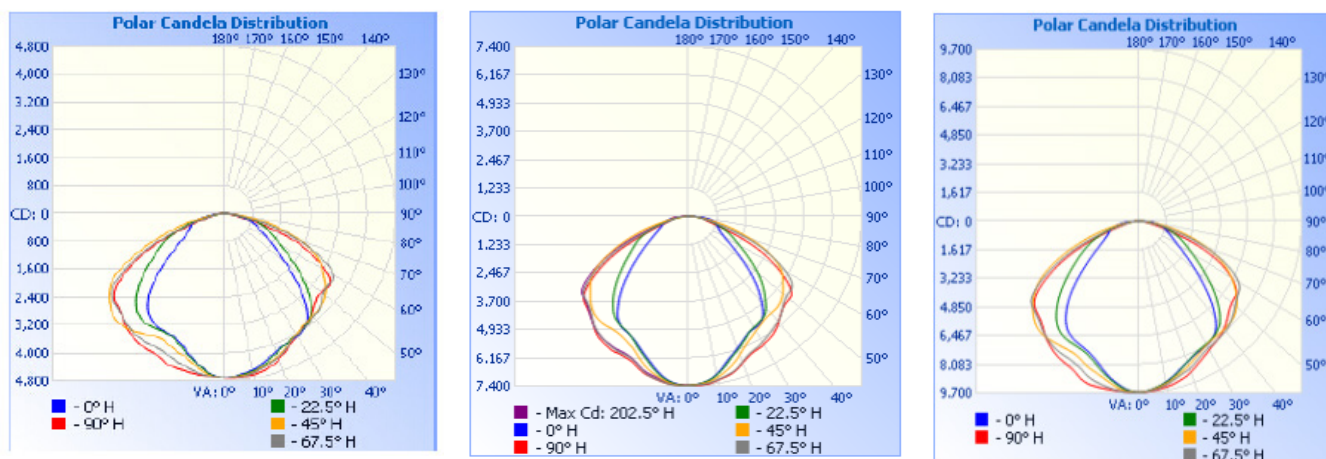


RoHS

Dimensional Diagrams (in.)



Isolux Diagrams



Model Numbers

SES-FLT-5700-30

SES-FLT-5700-50

SES-FLT-5700-80

SES-FLT-5700-100

SES-FLT-5700-150

SES-FLT-5700-220

SES-FLT-5700-300