

## LED WALL PACK SERIES

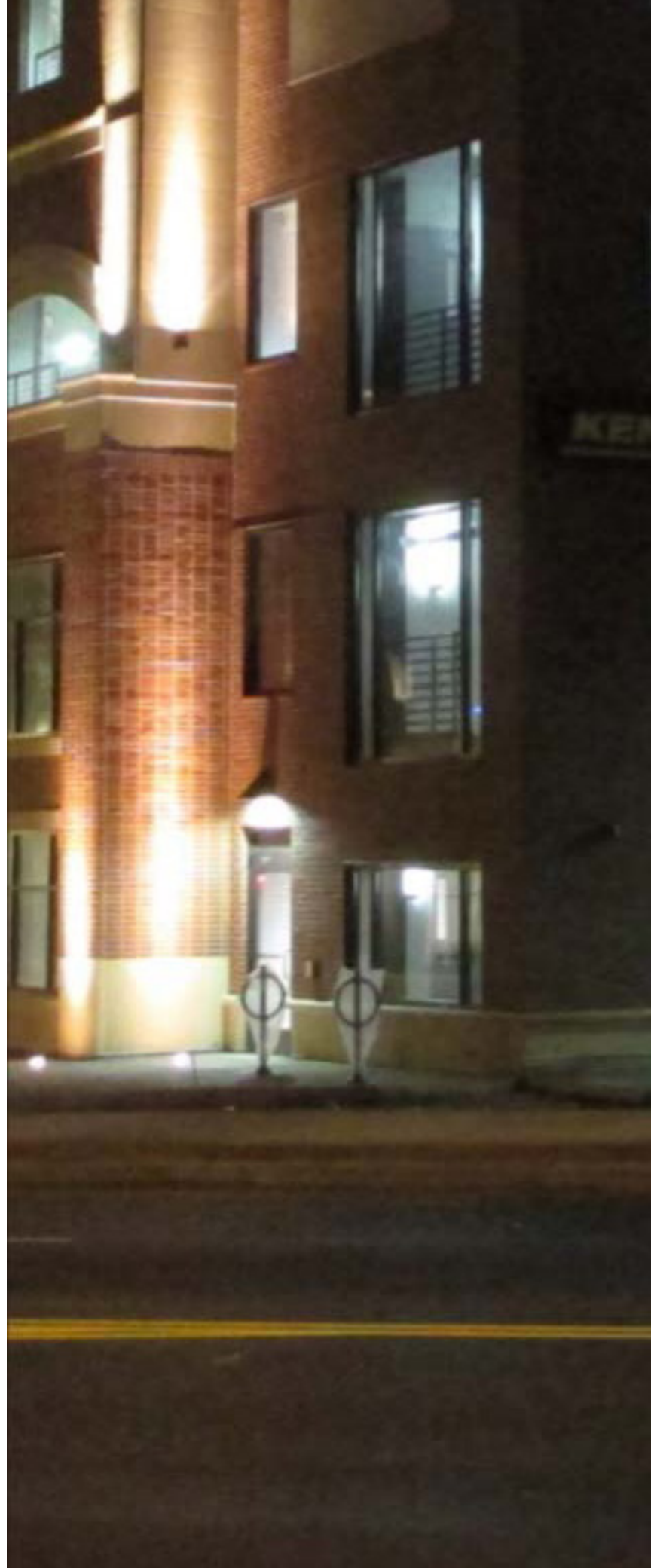
### SES-WPN



#### Technical Specifications

Size:	13.4" L x 12.6" W x 5.3" D
Watts:	60W   80W   100W   120W
Lumen:	7500lm   10,520lm   12,400lm 14,470lm
CCT:	3000K*   5700K
Voltage:	AC100-240V   100-277V (50-60Hz)
Dimmable:	No
Beam Angle:	150°   85°
CRI:	≥80
PF:	0.9
IP Rate:	IP65
Materials:	Aluminum, PC
Housing Color:	Black, Clear
Lifespan:	50,000 hours

\*3000K is Dark Sky compliant when mounted facing straight down.

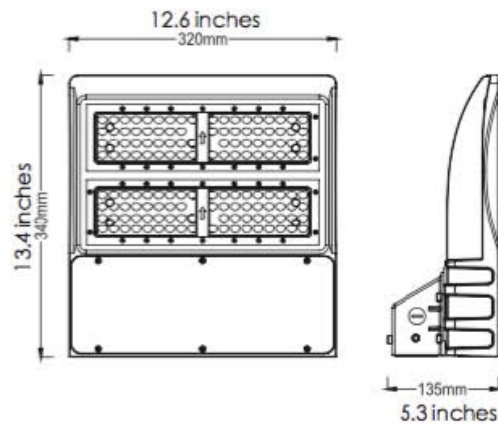
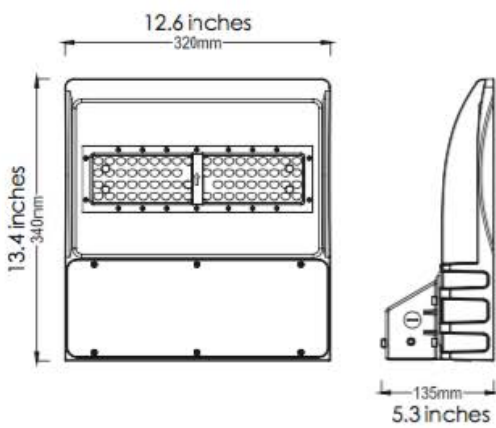


## Features

LED Wall Packs are safe for outdoor use and protected from rain, snow, and weak jets of water, such as sprinklers. These Wall Packs are perfect for landscaping, courtyards, and entryways.



## Dimensions



## Model Numbers

SES-WPN-5700-60

SES-WPN-5700-100

SES-WPN-3000-60

SES-WPN-3000-100

SES-WPN-5700-80

SES-WPN-5700-120

SES-WPN-3000-80

SES-WPN-3000-120