

## LED WALL PACK SERIES

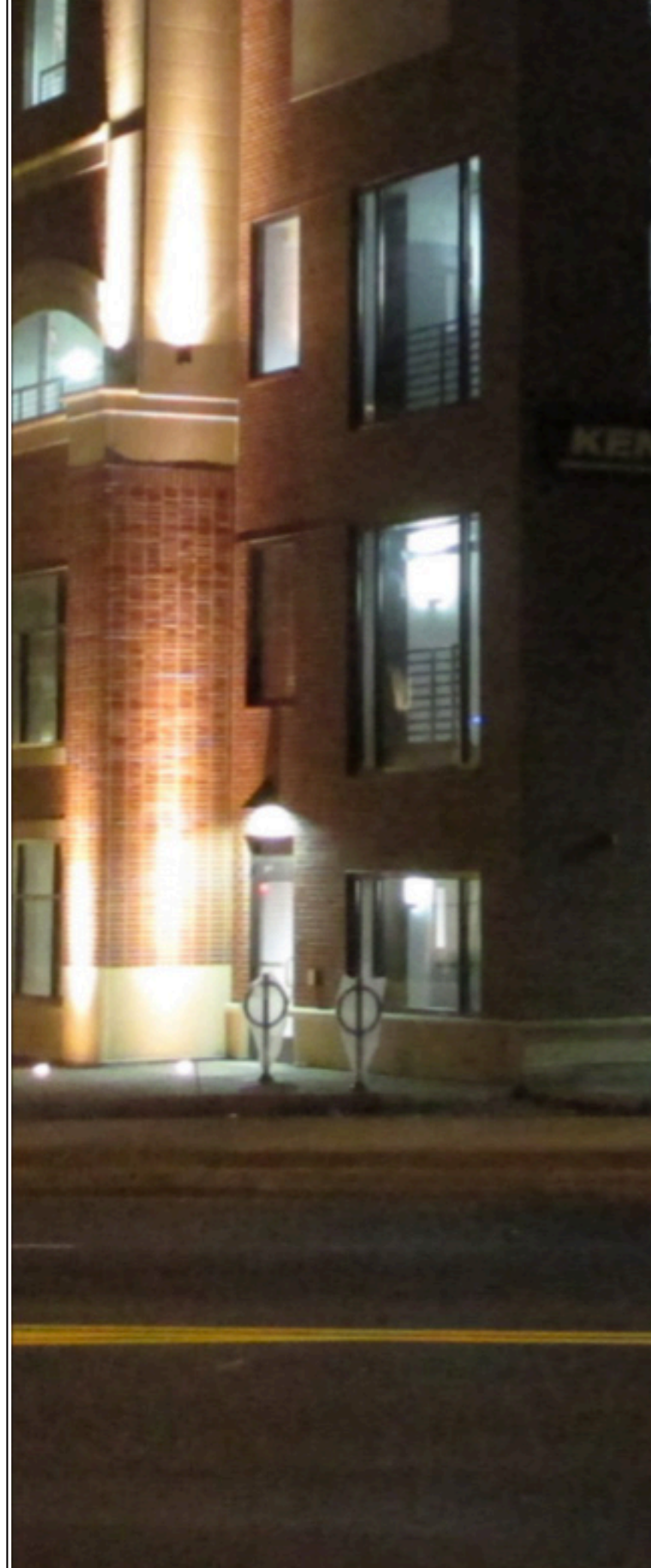
### SES-WPN

60W | 80W | 100W | 120W



#### Technical Specifications

Watts:	60W   80W   100W   120W
Size:	See Reverse
Lumen Output:	7500lm   10,500lm   12,400lm 14,000lm
CCT:	Cool White   5700K
Beam Angle:	150°   85°
Voltage:	AC100-240V   100-277V 50-60Hz
Qualifications:	DLC   CE   cUL   RoHS
CRI:	≥80Ra
PF:	0.9
IP Rate:	IP65
Lifespan:	50,000 hours



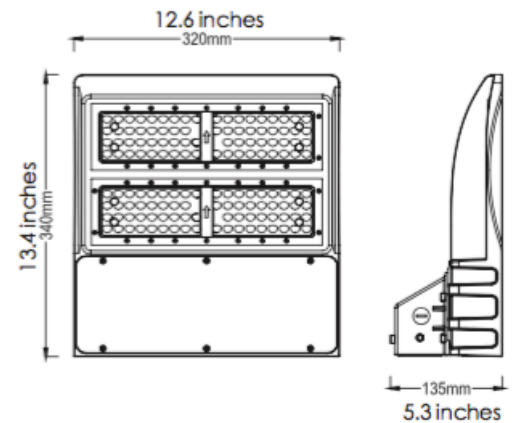
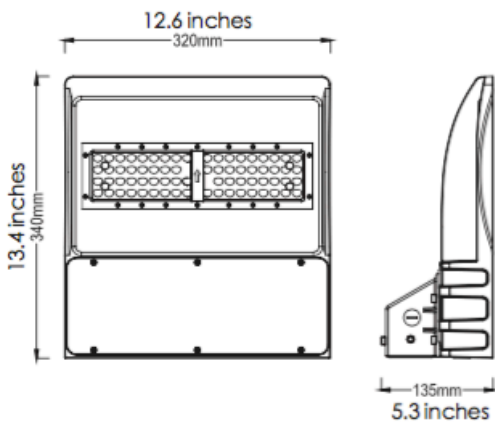
## Features

SARIN Energy is proud of its new high power LED Wall Pack Light Series. This light adopts the latest high quality LEDs to directly replace traditional lighting. It is suitable for broad applications including entrances, landscapes, courtyards, wall lighting, and more!



RoHS

## Dimensional Diagrams (in.)



## Model Numbers

SES-WPN-5700-60

SES-WPN-5700-80

SES-WPN-5700-100

SES-WPN-5700-120