

### Safety Precautions

Read all safety precautions and installation instructions carefully before installing or servicing this fixture. Failure to comply with these instructions could result in potentially fatal electric shock and/or property damage.

It is recommended that a qualified electrician perform all wiring. This fixture must be wired in accordance with all national and local electrical codes.

Do not handle any powered fixture or attempt to power any fixture with wet hands, while standing on a wet or damp surface, or in water.

Make sure that the power source conforms to the requirements of the fixture (see labels on fixture housing). Model numbers ending in MV are designed for use in a 120-277VAC fused circuit (do not use on a dimming circuit).

To reduce the risk of electrical shock, and to assure proper operation, this fixture must be adequately grounded. To accomplish proper grounding, there must be a separate ground wire (green) contact between this fixture and the ground connection of your main power supply panel.

This fixture is intended to be used for general indoor lighting in dry or damp locations only.

### ASSEMBLY INSTRUCTIONS

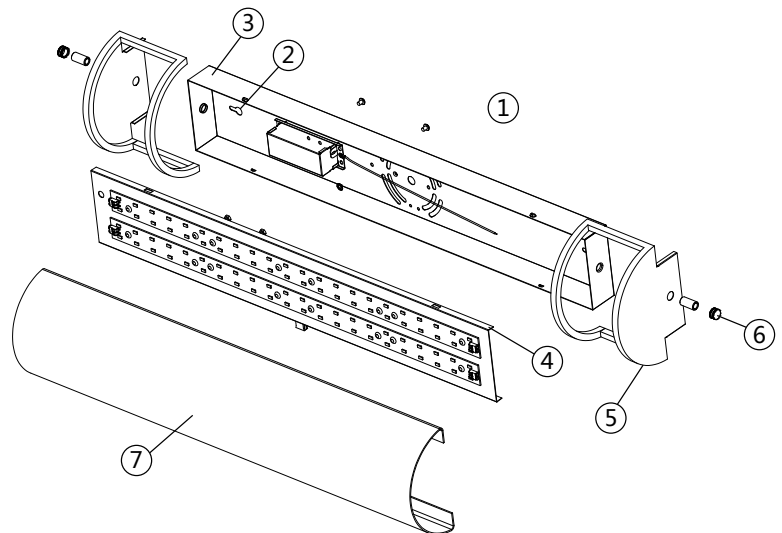
#### 1. Preparing for installation

- A. **Disconnect electrical power** at fuse or circuit breaker box before installing or servicing any part of this fixture.
- B. Carefully remove the fixture from the carton, and check that all parts are included, as shown in figure.

#### 2. Mounting & Wiring (all wiring must take place inside junction box)

**Caution:** Make sure power is off at fuse or circuit breaker box. Check power wires for damage or scrapes. If power supply wires are within three inches of the ballast power supply, use wire suitable for at least 194°F. **Note:** Most dwellings built before 1985 have supply wire rated to 140°F. Consult a qualified electrician before installing.

- A. Position the back plate mounting channel (1) against the wall covering the junction box (not included) and secure with the two screws included. Mark placement of mounting keyhole slots (2).
- B. Drill appropriate sized holes or install wall anchors (not included) for mounting screws.
- C. Connect the power source ground wire to the green or bare copper wire from the fixture assembly.
- D. Using the provided wire nuts, connect white supply wire to white ballast lead. Connect black supply wire to black ballast lead. **Do not mix wires.** Pull on each wire lead to make sure connections are secure. Make certain no bare wires are exposed outside of wire connectors.
- E. Tuck all connections neatly into junction box (not included).
- F. Fasten channel securely to the wall.
- G. Install the fixture housing (3) to the channel by sliding the slots in the housing over the screws (4) in the channel and tightening the screws.



#### 3. Diffuser Assembly

- A. Install one end (5) using the thumbscrew (6).
  - B. Slide the diffuser (7) into the installed end, and install the other end with thumbscrew to secure diffuser in place.
5. Restore power at fuse or circuit breaker box.