



UPD- COB15 | LED Up Down Wall Sconce

Project: _____ Type: _____

Name: _____ Date: _____



OVERVIEW

Tunable: Blue

Applications: Outdoor IP65

Dimming: Non-Dimming

LED Type: COB

Lens Type: Clear

Driver: UL driver

Mount Options: Wall mounted

Operating Temp: -40° to 113° F

Operating Humidity: 10%-65% RH

Lifespan: 35,000 Hours

Warranty: 3 Years

FEATURES

- Protected from the elements with an IP65 rating making it suitable for rainy environments
- Electrical Junction Box (J-Box) Base allows for easy and quick mounting
- Suitable for residential or commercial applications, highlighting the exterior of any building
- Durable aluminum housing protects from wear and tear



Size	7" x 4" x 12"	Lumens	N/A
Watts	30W	CCT	Blue
Voltage	100-277V	IP Rating	IP65
Dimming	Non-Dimming	Materials	Aluminum, Glass
Beam Angle	30°	Finish	Bronze
CRI	80	Lens	Clear
PF	0.9	Lifespan	35,000 Hours

SARIN LED Up-Down Wall Sconces are excellent for adding a pop of brightness to any wall. Modernize the exterior lighting of your residential or commercial space with this sleek looking LED wall sconce. Constructed of rugged, aluminum, this outdoor wall wash light is durable and suitable for wet locations to withstand the elements. Electrical Junction Box (J-Box) Base allows these sconces to be quickly and easily mounted.

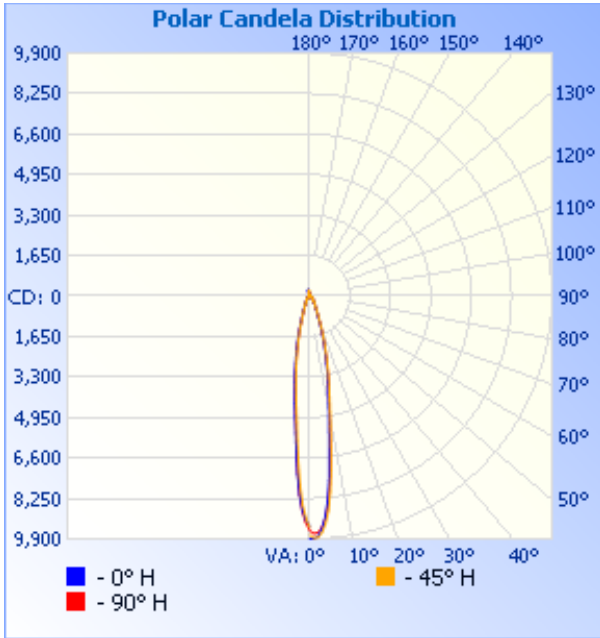
Consuming only 30 watts and rated for 35,000 life hours, this LED wall sconce will save you on energy and maintenance cost.

LED Up-Down Wall Lights are perfect for hotels, shopping centers, and hospitals



PHOTOMETRICS:

X° Beam Angle: (Polar Candela Dist.)



Light Distance: (Illuminance at a Distance)

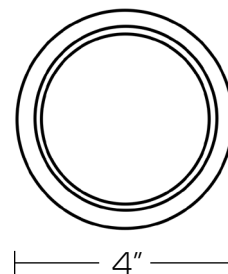
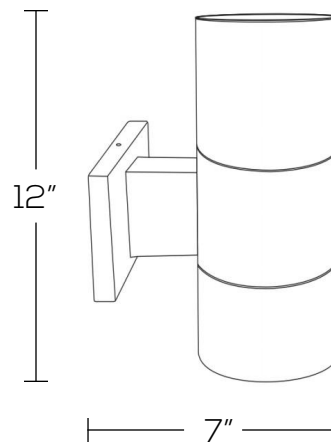
	Illuminance at a Distance	
	Center Beam fc	Beam Width
4.3ft	534 fc	1.2 ft 1.2 ft
8.7ft	130 fc	2.5 ft 2.5 ft
13.0ft	58.4 fc	3.7 ft 3.8 ft
17.3ft	33.0 fc	5.0 ft 5.0 ft
21.7ft	21.0 fc	6.2 ft 6.3 ft
26.0ft	14.6 fc	7.5 ft 7.5 ft

■ Vert. Spread: 16.3°
■ Horiz. Spread: 16.5°

IMPORTANT SAFEGUARDS:

1. Installation, service and maintenance should be performed by a qualified licensed electrician.
2. Make all electrical and grounded connections in accordance with national electrical code and any applicable local code requirements.
3. Disconnect power at fuse or circuit breaker before installing or servicing.
4. Review the diagrams thoroughly before beginning.
5. Do not mount in hazardous locations, or near gas or electric heaters.
6. Do not let power cords touch hot surfaces.
7. Equipment should be mounted in locations where it will not be subjected to tampering by unauthorized personnel.
8. Do not use equipment for other than its intended use.

DIMENSIONS:





UPD- COB15 | LED Up Down Wall Sconce

Project: _____ Type: _____

Name: _____ Date: _____

ORDER FORM:

(*) Special Order/Not Commonly Stocked

Custom Model Assembly

Fixture	CCT	Watts	Beam Angle	Voltage
<input checked="" type="checkbox"/> UPD	<input checked="" type="checkbox"/> Blue	<input checked="" type="checkbox"/> 30W	<input checked="" type="checkbox"/> 30°	<input checked="" type="checkbox"/> 100-277

SES-UPD-COB15B-2
Example Model Number

SES – UPD – Blue – 30W – 30° – 100-277

Quantity

Fixture

CCT

Watts

Beam Angle

Voltage

Common Stock Models:

Item #	Model #
11165	SES-UPD-COB15B-2