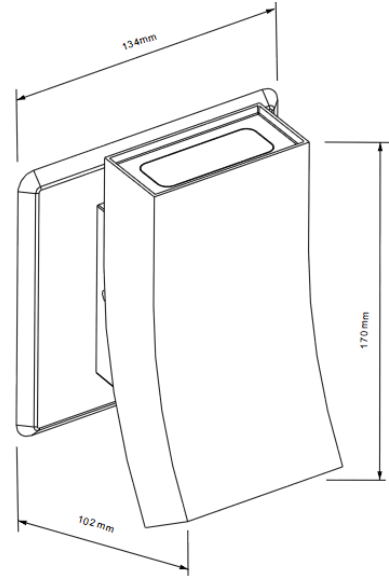


LED WALL LAMP SERIES

SES-WL-15003
10W | 3000k/5000k



Technical Specifications

Size:	134mm W x 102mm D x 170mm H 7.17in W x 5.94in D x 5.24in H
Material:	Painted Aluminum body with PC diffuser
Safety Class:	Class 1
Voltage:	AC100-240V
Weather Resistant:	Waterproof, suitable for outdoor and wet locations application

