

LED BOLLARD LIGHT SERIES

SES-BL2003R



Technical Specifications

Size:	6.3" D x 41.5" H
Watts:	10W
Lumen:	800lm
CCT:	3000K 4000K 5000K
Voltage:	110V-240V (50Hz)
Dimmable:	No
CRI:	80
PF:	>0.5
IP Rate:	IP65
Materials:	Aluminum, PC
Housing Color:	Bronze, Black
Lifespan:	30,000 hours

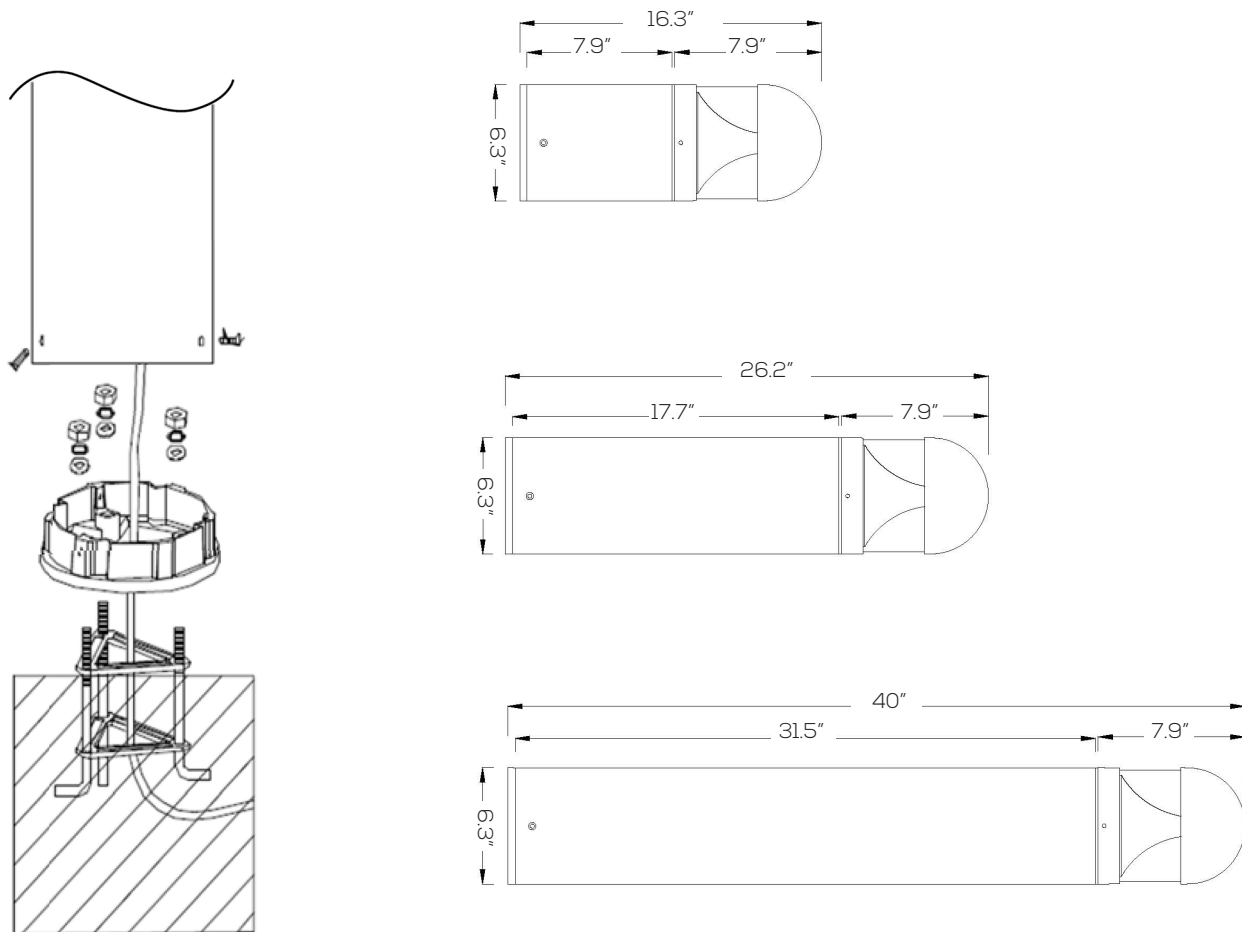


Features

SARIN Energy is proud of its high-quality LED Bollard Light Series. This revolutionary product adopts the latest technology, replacing traditional bulbs with energy efficient LEDs. These are widely used in the lighting of outdoor paths and sidewalks. These lights are suitable for a variety of applications and will provide significant energy savings.



Installation & Diagram



Model Numbers

SES-BL2003R-5000-10