

# LED RECESSED DOWNLIGHT SERIES

## SES-DLBR 13W



### Technical Specifications

Watts:	13W
Size:	Ø7.5"X3.4"
Lumen Output:	1000lm   1050lm   1100lm   1200lm
CCT:	Warm White   3000K Natural White   4000K Cool White   5000K
Voltage:	120V
Beam Angle:	120°
Certifications:	UL   ES
Base:	E26   GU24
CRI:	≥80Ra
PF:	>0.9
Lifespan:	50,000 hours
Options:	Dimmable: 0-10V

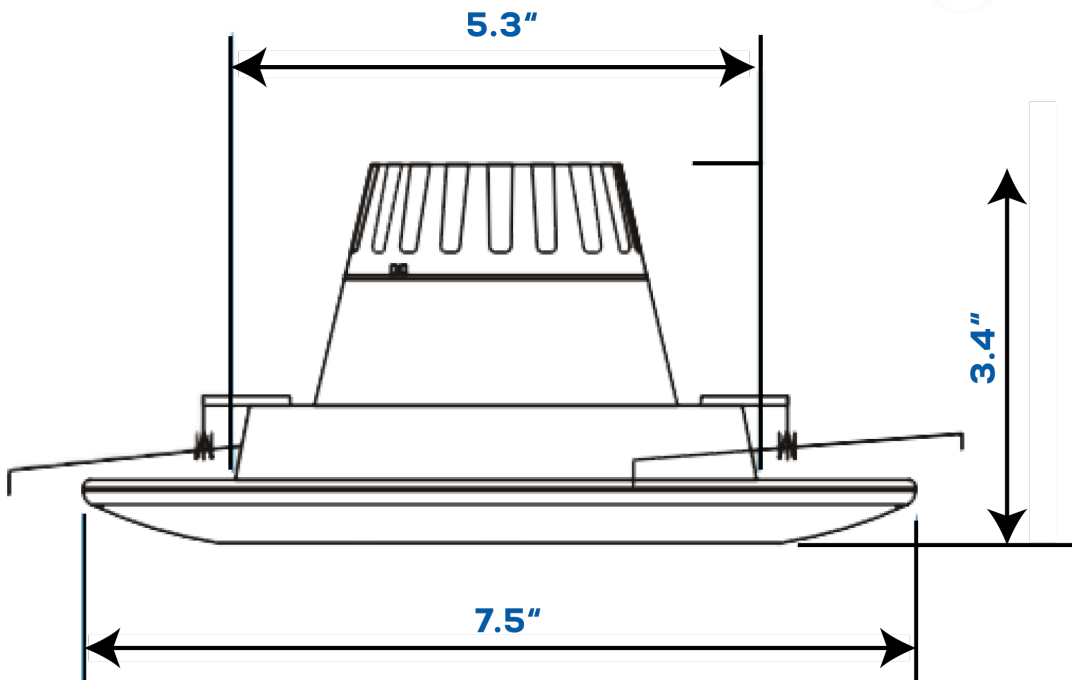


## Features

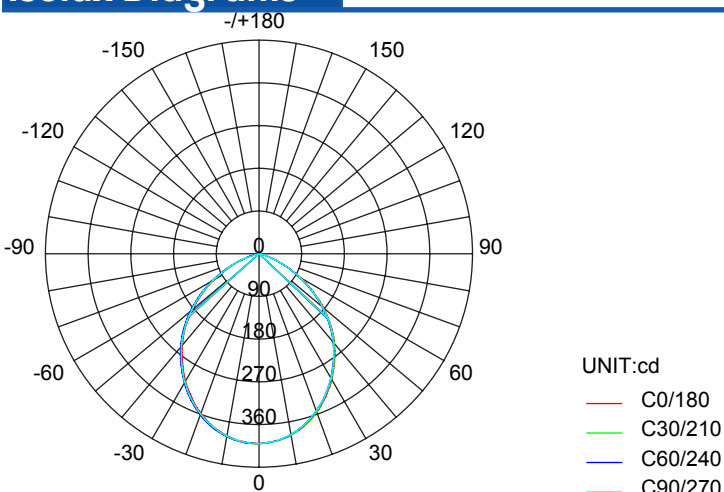
SARIN Energy is proud of its high-quality LED Recessed Downlight series. This revolutionary product adopts the latest technology, replacing traditional bulbs with energy-efficient LEDs. These lights are suitable for broad applications and will reduce energy bills to provide significant energy savings.



## Dimensional Diagrams (in.)



## Isolux Diagrams



BL-D6-13YYZZ  
AVERAGE BEAM ANGLE(50%):95.2 DEG

## Model Numbers

SES-DLBR-13-3000  
SES-DLBR-13-4000  
SES-DLBR-13-5000