

LED GARAGE LIGHT SERIES

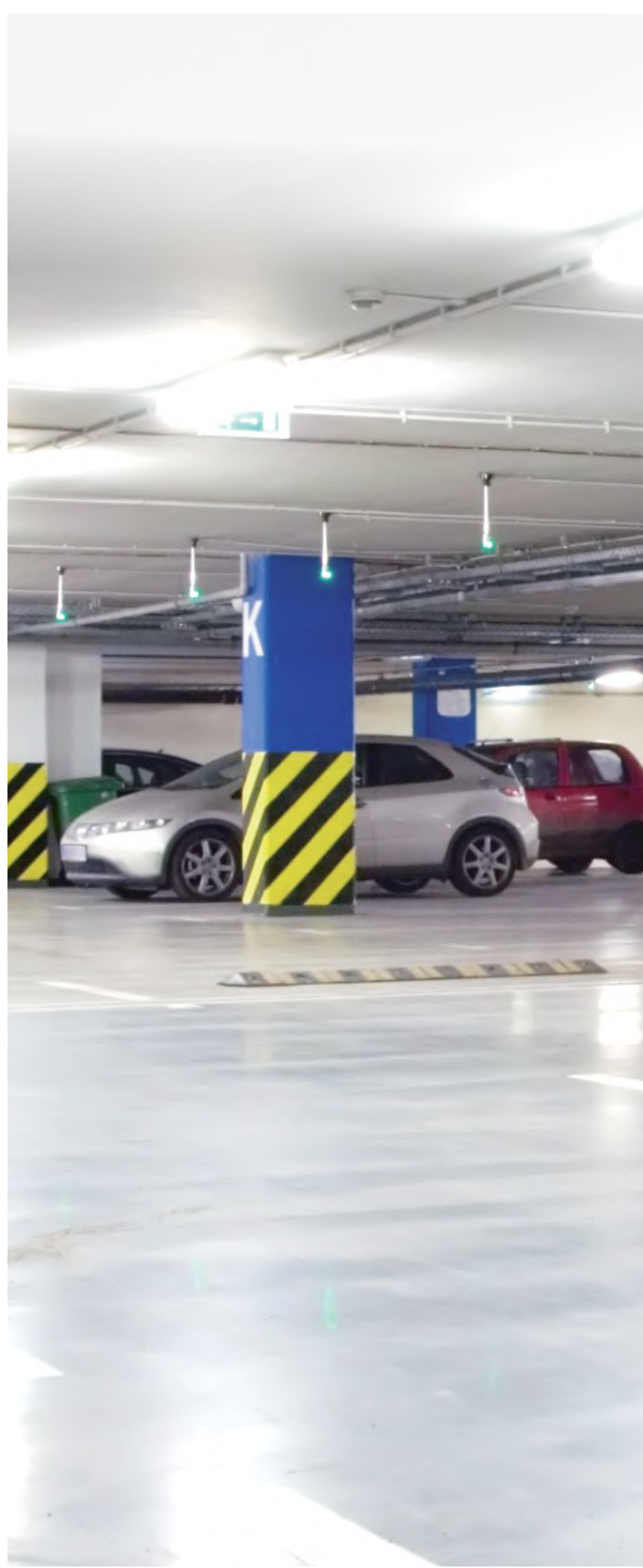
SES-PG02

35W | 55W | 75W | 100W



Technical Specifications

Watts:	35W/55W/75W/100W
Luminous Flux:	3600-3900LM /6200-6500LM 8000-8800LM /11000-11700LM
CCT:	4000/5000/5700K
Voltage:	AC100-240/100-277V,50/60Hz
Beam Angle:	150°/160°
IP:	IP65
CRI:	≥ 70Ra
PF:	>0.9
Lifespan:	50,000 hours



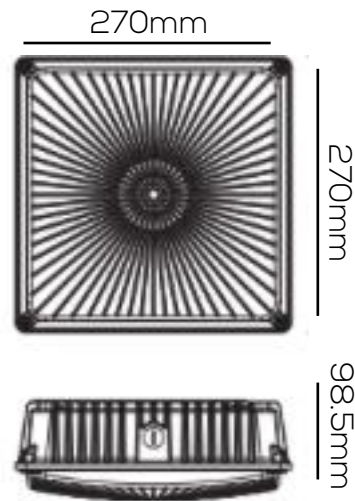
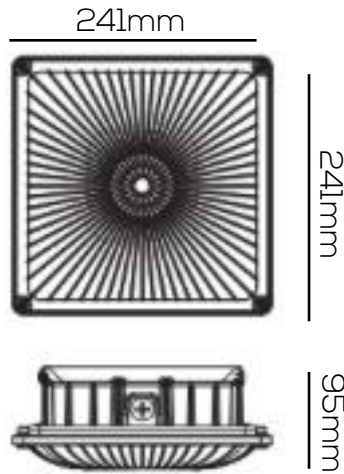
Features

SARIN Energy is proud of its new high power LED Canopy Light series which is a revolutionary product that adopts high quality LEDs to directly replace traditional lighting, and is suitable for broad applications.



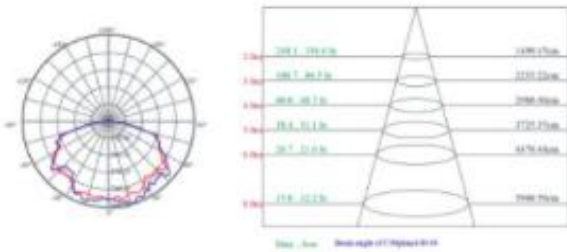
RoHS

Dimensional Diagrams (mm.)

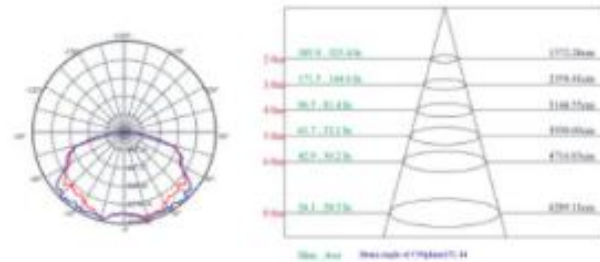


Isolux Diagrams

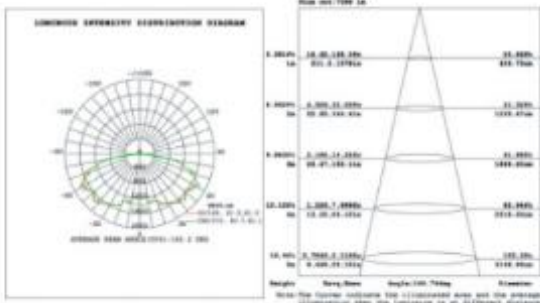
35W



55W



75W



100W

