

## LED A SERIES

**SES-A19**  
6W | 7W | 9W  
**SES-A21**  
15W



### Technical Specifications

Watts:	6W   7W   9W   15W
Size:	See Reverse
Lumen Output:	470lm   550lm   806lm   1600lm
CCT:	Warm White   3000K Cool White   5000K
Voltage:	120V
Beam Angle:	240°
Certifications:	UL   ES   FCC
Base:	E26
CRI:	80
PF:	≥0.5
Lifespan:	25,000 hours



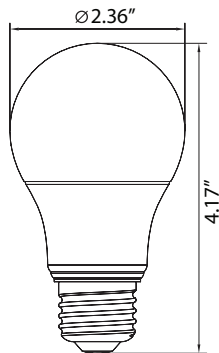
## Features

SARIN Energy is proud of its high-quality LED Bulb series. This revolutionary product adopts the latest technology, replacing traditional bulbs with energy-efficient LEDs. These bulbs are suitable for broad applications and will reduce energy bills to provide significant energy savings.

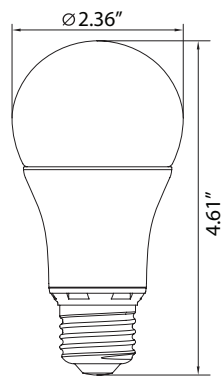


## Dimensional Diagrams (in.)

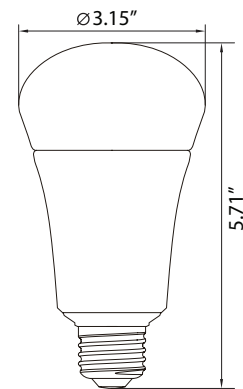
**SES-A19-6W**



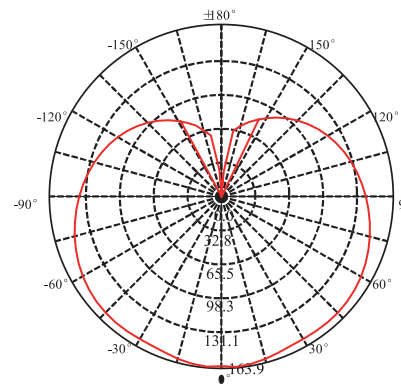
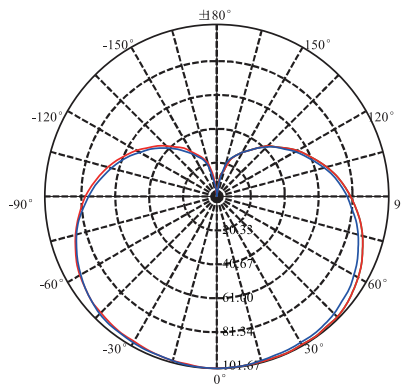
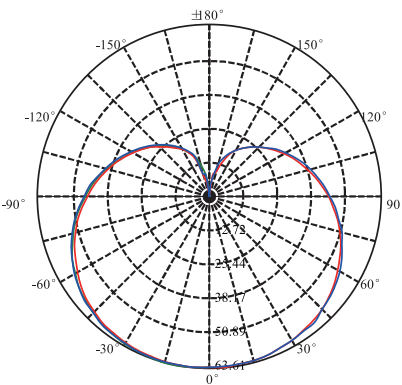
**SES-A19-9W**



**SES-A21-15W**



## Isolux Diagrams



## Model Numbers

SES-A19-3000-6  
SES-A19-5000-6

SES-A19-3000-9\*  
SES-A19-4000-9\*

SES-A21LED-3000-15  
SES-A21LED-5000-15