

# LED SHOEBOX LIGHT SERIES

## SES-SBN



### Technical Specifications

Size:	See Reverse
Watts:	60W   90W   120W   150W 150W-HV   185W   240W   300W
Lumen:	8700lm   13,000lm   16,000lm 19,000lm   19,000lm   18,500lm 26,945lm   31,904lm   42,260lm
CCT:	3000K*   5700K
Voltage:	AC100-240V
Beam Angle:	150°/85°
CRI:	≥80
PF:	0.9
IP Rate:	IP65
Materials:	Aluminum, PC
Housing Color:	Black, Clear
Lifespan:	50,000 hours

\*3000K is Dark Sky compliant when mounted with an extruded arm.



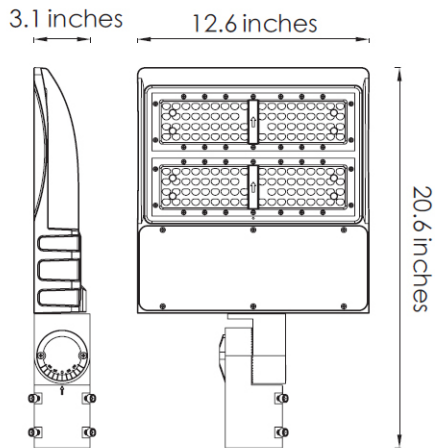
## Features

LED Shoebox Lights are commonly used to replace HPS flood lights and metal halides and can provide an energy savings of up to 70%. These flood lights are safe for outdoor use and protected from rain, snow, and weak jets of water, such as sprinklers. LED Shoebox Lights are perfect for stadiums, parks, billboards, fields, street lights and more.

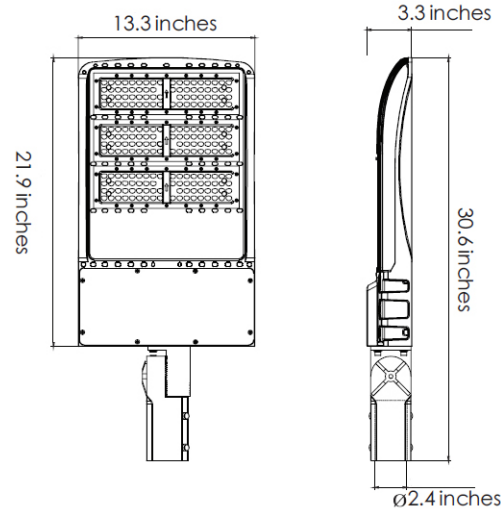


## Dimensions

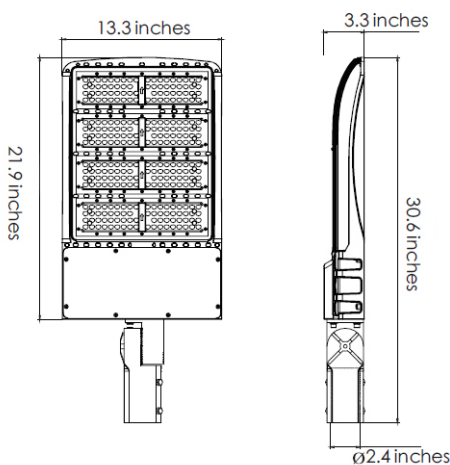
### 60-150W



### 185W



### 240-300W



## Model Numbers

SES-SBN-5700-60	SES-SBN-5700-185	SES-SBN-3000-60	SES-SBN-3000-185
SES-SBN-5700-90	SES-SBN-5700-240	SES-SBN-3000-90	SES-SBN-3000-240
SES-SBN-5700-120	SES-SBN-5700-300	SES-SBN-3000-120	SES-SBN-3000-300