

LED RESISTANT HIGH BAY LIGHT SERIES

SES-HB05M



Technical Specifications

Size:	24.3" Ø x 8.7" H
Watts:	200W 250W 300W 340W
Lumen:	32,300lm 40,000lm 48,500lm 54,300lm
CCT:	4000K 5000K
Voltage:	AC120-277V AC347-480V
Dimmable:	Yes (1-10V)
Beam Angle:	130°
CRI:	70
PF:	0.9
IP Rate:	IP65
Materials:	Aluminum, PC
Housing Color:	Dark Bronze
Lifespan:	>100,000 hours
Optional:	Motion Sensor

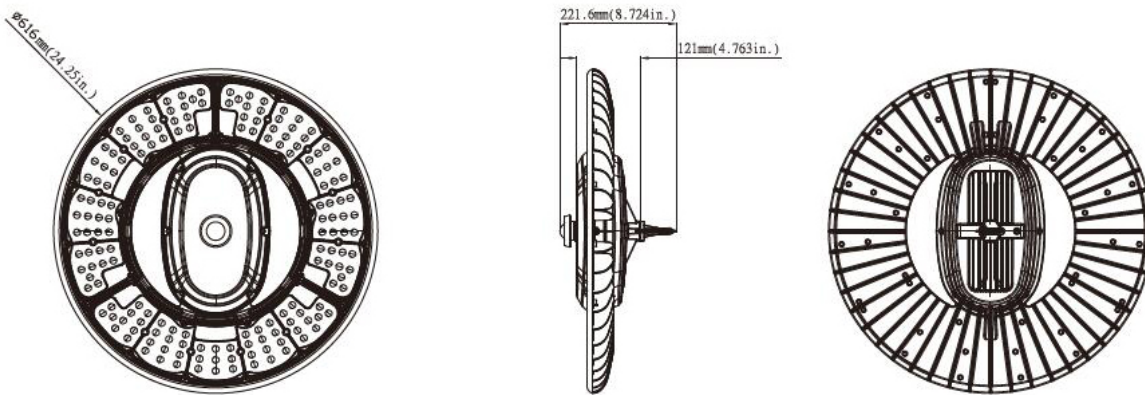


Features

This revolutionary LED High Bay Light Series adopts the latest technology, replacing traditional bulbs with energy efficient LEDs. These are widely used in the lighting of warehouses, factories, gas stations, grocery stores, gymnasiums, exhibition halls and other commercial spaces. These fixtures are suitable for a variety of applications and have a very high temperature range resistance of -40° F to 149° F.



Dimensions



Model Numbers

SES-HB05M-200W27V

SES-HB05M-300W27V