

## LED GARAGE LIGHT

### SERIES

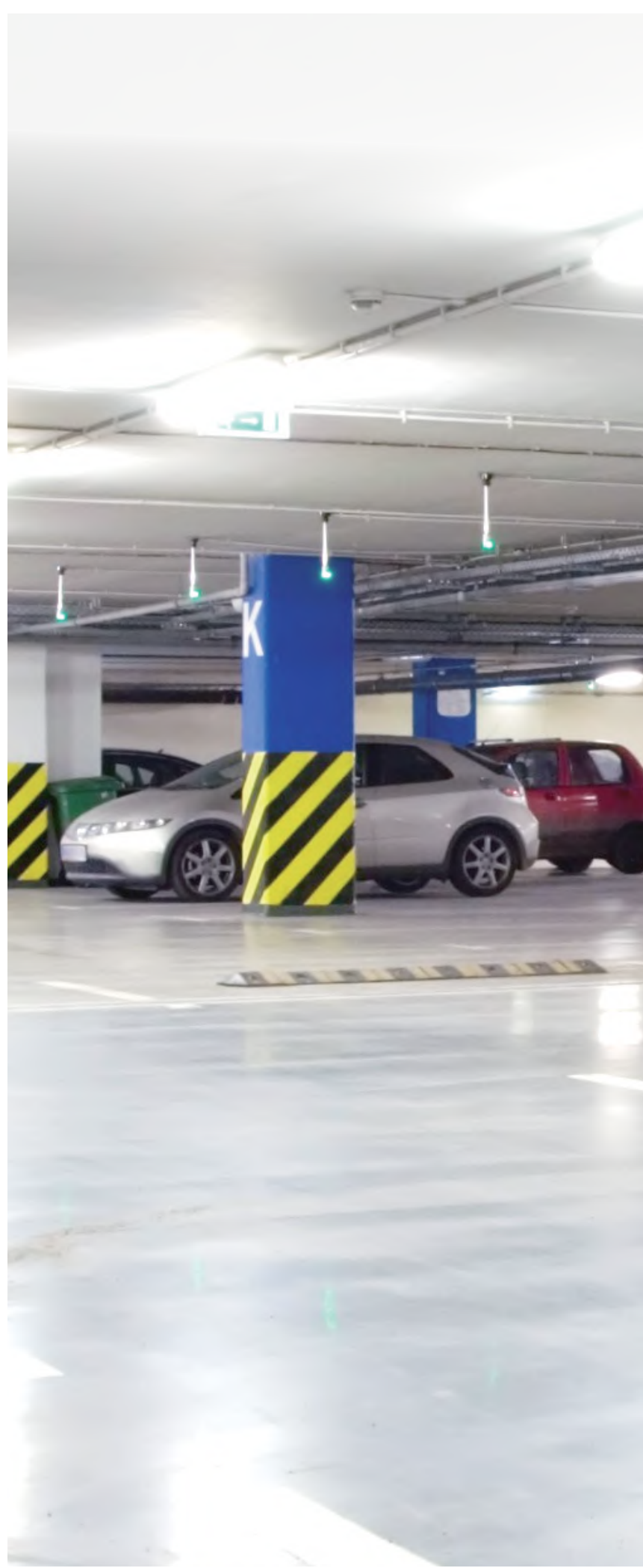
## SES-CP2

35W | 55W | 75W | 100W



### Technical Specifications

Watts:	35W   55W   75W   100W
Luminous Flux:	3600-3900LM /6200-6500LM 8000-8800LM /11000-11700LM
CCT:	4000K   5000K   5700K
Voltage:	AC100-240/100-277V,50/60Hz
Beam Angle:	150°/160°
IP:	IP65
CRI:	≥ 70Ra
PF:	>0.9
Lifespan:	50,000 hours



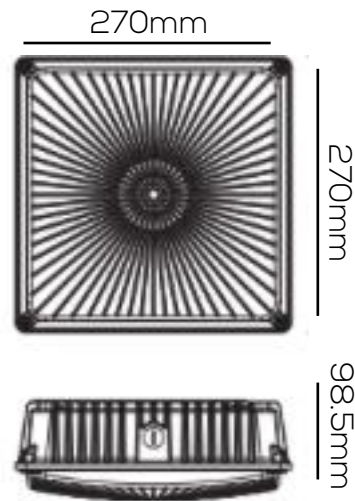
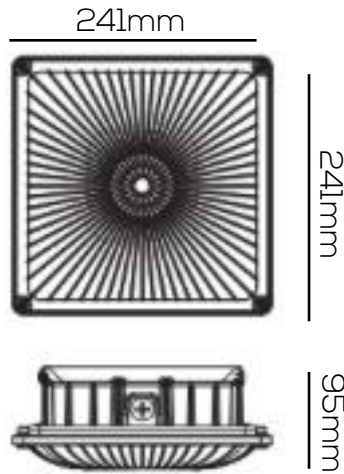
## Features

SARIN Energy is proud of its new high power LED Canopy Light series which is a revolutionary product that adopts high quality LEDs to directly replace traditional lighting, and is suitable for broad applications.



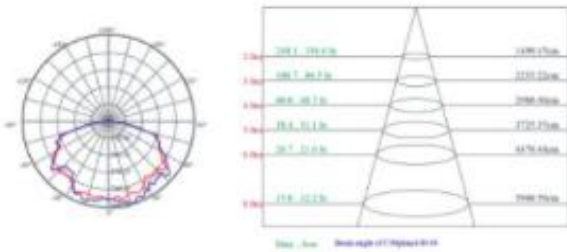
RoHS

## Dimensional Diagrams (mm.)

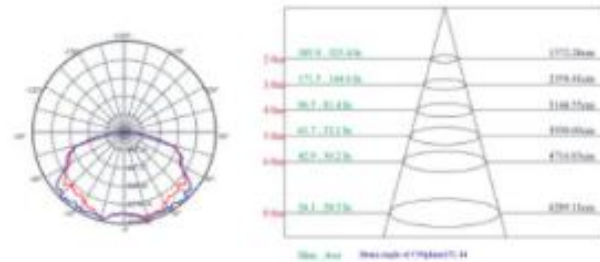


## Isolux Diagrams

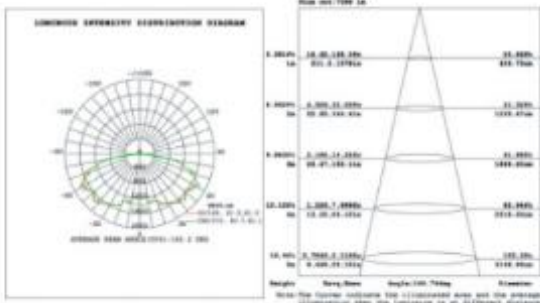
### 35W



### 55W



### 75W



### 100W

