

# LED SOLAR BOLLARD LIGHT SERIES

## SES-SBL



### Technical Specifications

Size:	See Reverse
Watts:	2.8W
Lumen:	360lm
CCT:	3000K + 6500K + RGB
Voltage:	3.2V
Dimmable:	PWM (Wireless 2.4G)
Beam Angle:	120°
CRI:	>83
PF:	>0.97
IP Rate:	IP65
Materials:	Aluminum
Housing Color:	Brown, Black, White, Gray, Custom
Lifespan:	>50,000 hours

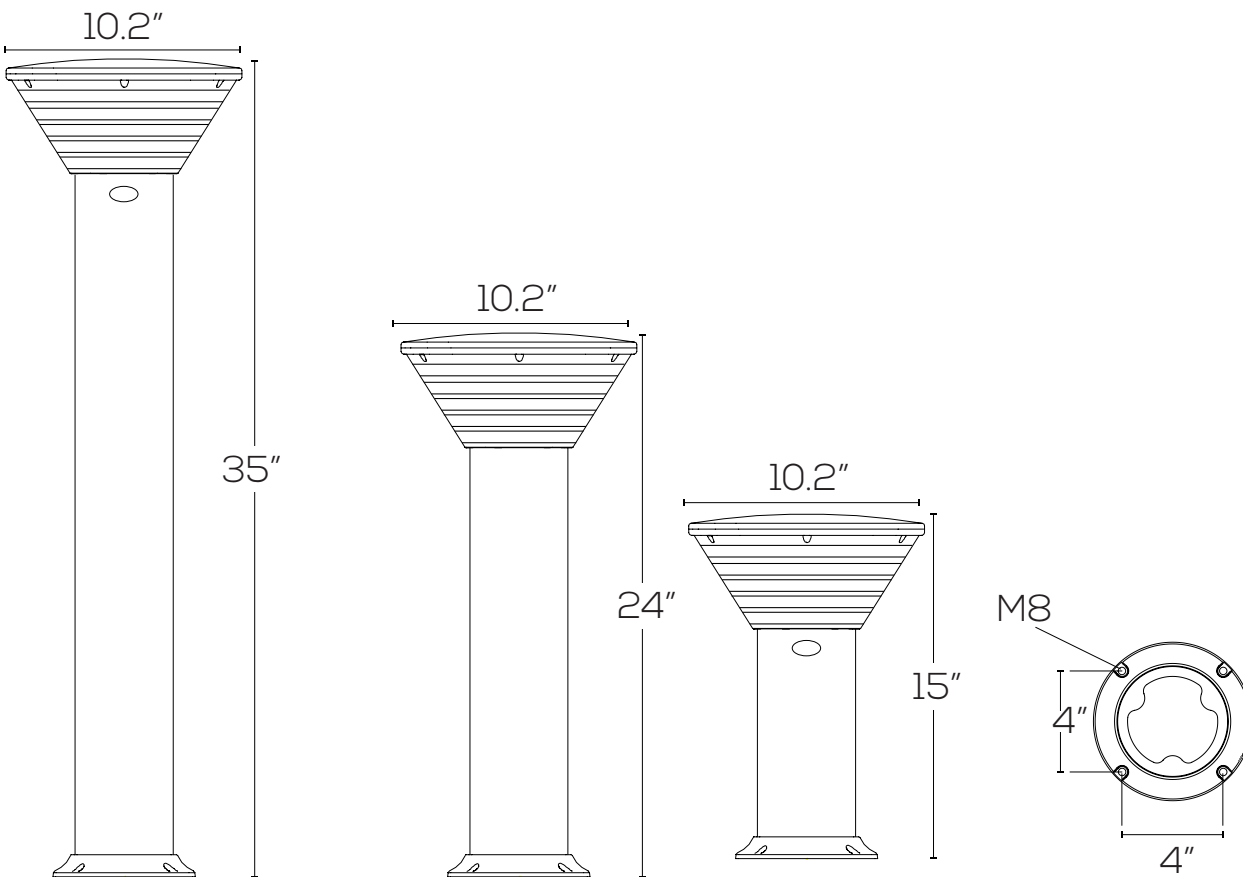


## Features

This Solar Bollard Light Series is designed to bring you peace of mind with its IK10 vandal-resistant rating. Up to 50 bollards can be controlled with one remote from a range of about 80 feet. You can set the light to work 4 hours each night or a full 8 hours automatically. Use the remote to change the color and color temperature of the light with ease.



## Dimensions



## Model Numbers

SES-SBL-RGBWW-2.8-35-BROWN