

LED HIGH OUTPUT AC MODULE SERIES

SES-LM110



Technical Specifications

| | |
|----------------|---|
| Size: | 4.1" L x 0.9" W x 0.2" D (75' 5") |
| Watts: | 3W |
| Lumen: | 390lm / Module |
| CCT: | 3000K 4000K 5000K 6000K Blue (Other Colors Available Upon Request) |
| Voltage: | AC110V |
| Dimmable: | Yes |
| Beam Angle: | 160° |
| CRI: | 75 |
| IP Rate: | IP54 |
| Materials: | Aluminum, ABS |
| Housing Color: | White |
| Lifespan: | 30,000 hours |
| Driver: | Not Required |
| Max in Series: | 100 Modules / 1 String |

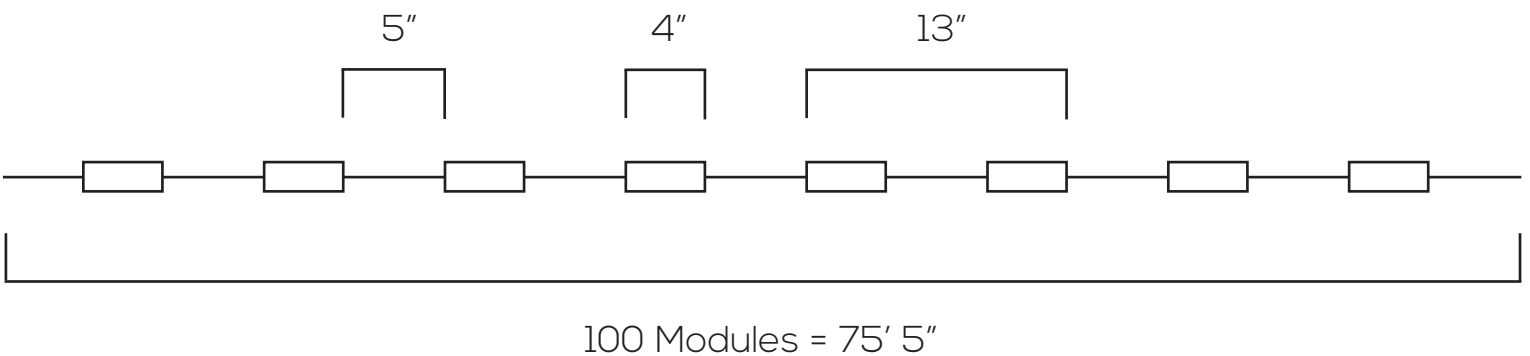
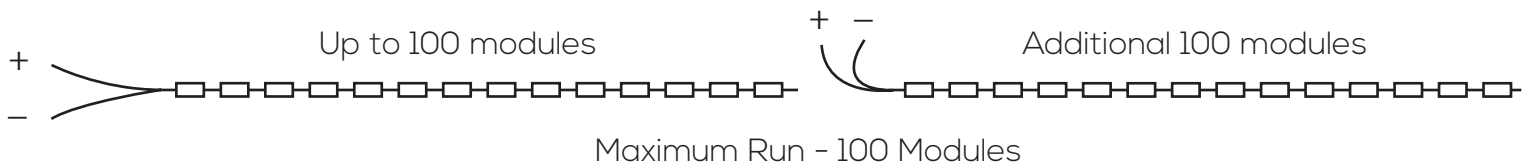
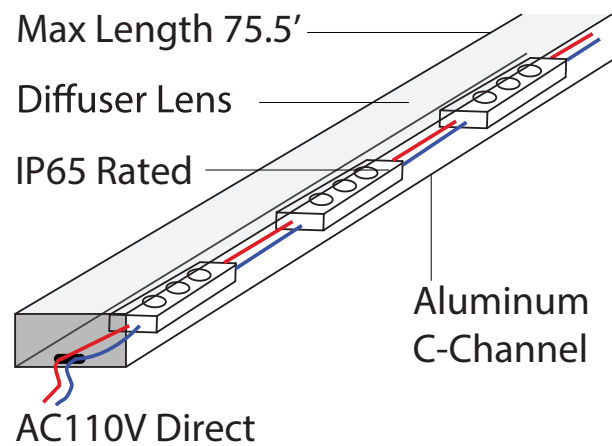
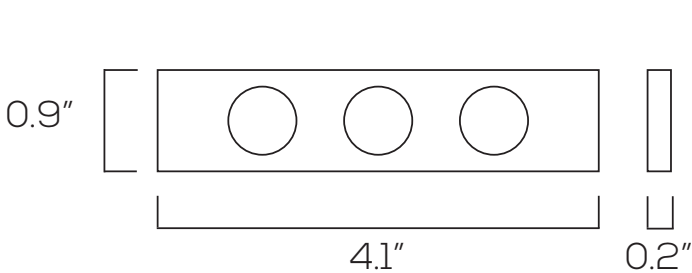


Features

LED Modules are excellent for illuminating signs or outlining windows. These lights are safe for outdoor use and protected from rain, snow, and weak jets of water, such as sprinklers. LED Modules are perfect for gas stations, grocery stores, and shopping centers.



Dimensions



Model Numbers

10931: SES-LM110-3000-3

10935: SES-LM110-5000-3

Other Colors Available Upon Request

10934: SES-LM110-4000-3

10933: SES-LM110-6000-3

10930: SES-LM110-B-3 (Blue)