

# LED ADJUSTABLE CCT BACKLIT MIRROR SERIES

## ML01



### Technical Specifications

Size:	See Reverse
Watts:	54W   67W
Lumen:	6,370lm   7,900lm
CCT:	3000K + 4000K + 5000K + 6000K
Voltage:	AC100-240V (50/60Hz)
Dimmable:	Touch Dimmer
CRI:	>80
PF:	0.9
IP Rate:	IP42
Materials:	Aluminum, Copper-Free Mirror
Housing Color:	Mirrored, White
Lens Type:	Frosted or Crystal
Lifespan:	50,000 hours
Bonus Features:	Touch On/Off, Anti-Fog



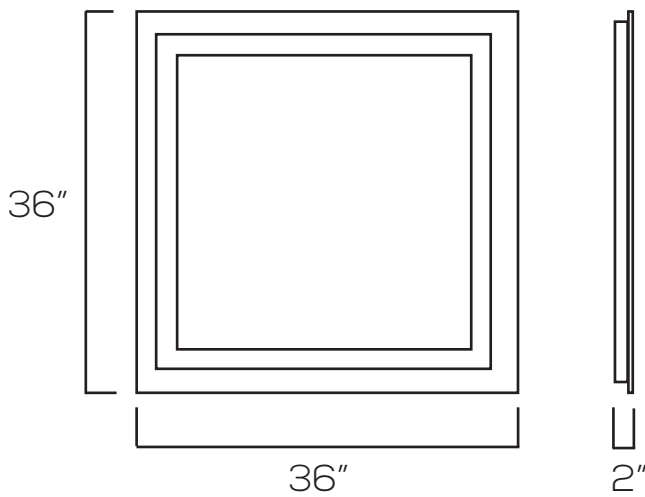
## Features

SARIN Energy is proud of its high-quality LED Mirror Light Series. These are widely used as a functional decoration for restrooms in residential and commercial spaces. There is a heater behind the glass to prevent fog and a switch in the corner of the mirror. The mounting plate allows you to install vertically or horizontally. Available in both frosted and crystal, this mirror can switch between four color temperatures.

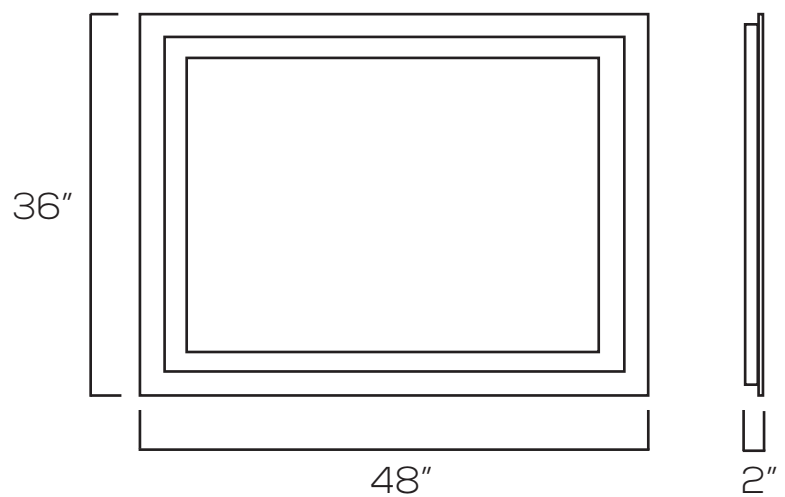


## Dimensions

SES-ML01-3636-20-B-T (54W)



SES-ML01-4836-20-B-T (67W)



## Model Numbers

#10677: SES-ML01-3636-20-B-T

#10678: SES-ML01-4836-20-B-T

#10675: SES-ML01-3636-20-B-T-CRYSTAL

#10676: SES-ML01-4836-20-B-T-CRYSTAL