

LED HIGH OUTPUT AC MODULE SERIES

SES-LM110



Technical Specifications

Size:	4.1" L x 0.9" W x 0.2" D (75' 5")
Watts:	3W
Lumen:	390lm / Module
CCT:	3000K 4000K 5000K 6000K Blue (Other Colors Available Upon Request)
Voltage:	AC110V
Dimmable:	Yes
Beam Angle:	160°
CRI:	75
IP Rate:	IP54 (IP65 in Channel)
Materials:	Aluminum, ABS
Housing Color:	White
Lifespan:	30,000 hours
Driver:	Not Required
Max in Series:	100 Modules / 1 String



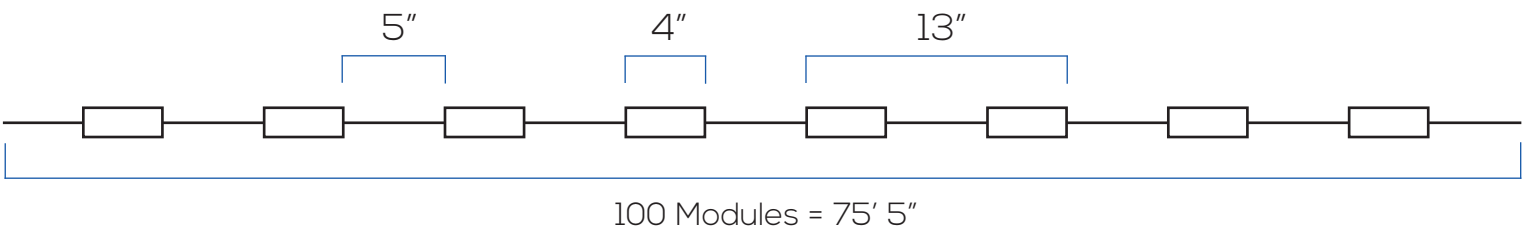
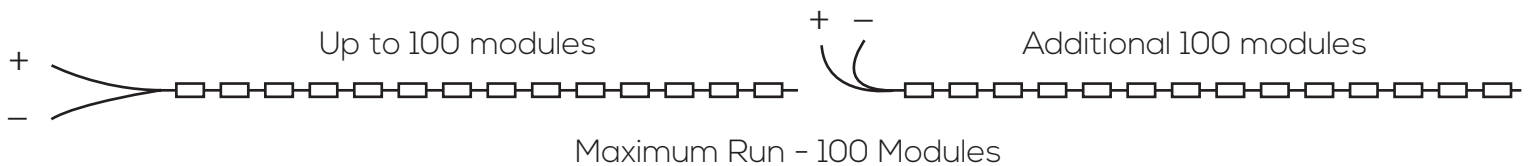
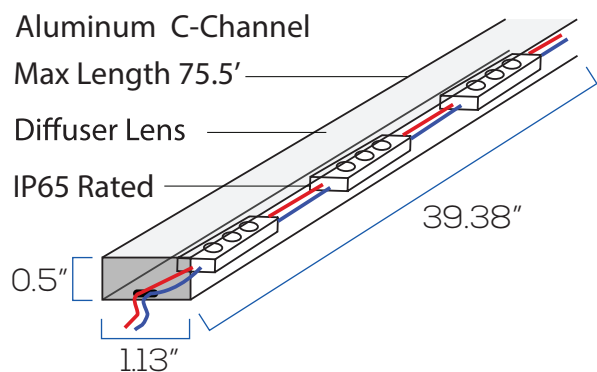
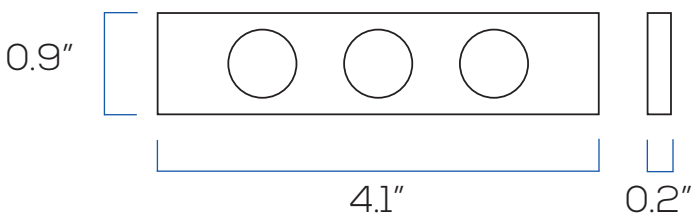
Features

LED Modules are excellent for illuminating signs or outlining windows. These lights are safe for outdoor use inside an enclosure and protected from rain, snow, and weak jets of water, such as sprinklers. LED Modules are perfect for gas stations, grocery stores, and shopping centers.



* Modules are only UL rated if housed in an electrical enclosure.

Dimensions



Model Numbers

Other Colors Available Upon Request

10931: SES-LM110-3000-3

10935: SES-LM110-5000-3

10930: SES-LM110-G-3 (Green)

10934: SES-LM110-4000-3

10933: SES-LM110-6000-3

10930: SES-LM110-B-3 (Blue)

30900: Aluminum Channel

30901: Frosted Channel Lens

10930: SES-LM110-P-3 (Purple)

30902: Channel End Cap

30903: Channel Mounting Clip