



EXRHR-2 | LED EMERGENCY LIGHT

Project: _____ Type: _____

Name: _____ Date: _____



Size	see dimensions	Lumens	≥200lm
Watts	2.4W	CCT	6000±500
Voltage	3.6-9.6V	IP Rating	IP65
Dimming	Non-Dimming	Materials	ABS
Beam Angle	N/A	Finish	Gray
CRI	82.3	Lens	Clear
PF	1	Lifespan	50,000 Hours

OVERVIEW

Tunable: 6000±500

Applications: IP65

Efficacy: 85lm/W

Dimming: Non-Dimming

LED Type: SMD2835

Lens Type: Clear

Driver: Independent research and development

Operating Temp: 32° to 104° F

Operating Humidity: ≤75%

Lifespan: 50,000 Hours

Warranty: 3 Years

FEATURES

- Nickel Cadmium battery recharges when power is flowing, charging to full in approximately 24 hours
- Lighting fixtures are hand adjustable for multiple angle coverage

SARIN INDOOR LED EMERGENCY LIGHTS light the way for occupants in offices, schools, hotels, homes, and commercial spaces when all other light sources fails. When this unit stops receiving power, it automatically activates and shines brightly for up to 90 minutes before needing to recharge again from its original power source.

These emergency lights are ideal in cases where lighting may no longer be available, black out situations, and any unforeseen events, guiding occupants to safety. The housing is made out of thermoplastic materials that are flame retardant and perfect for proactive business owners.



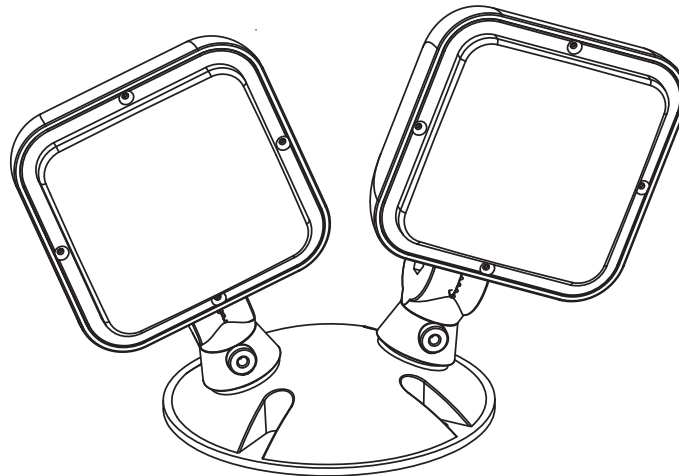
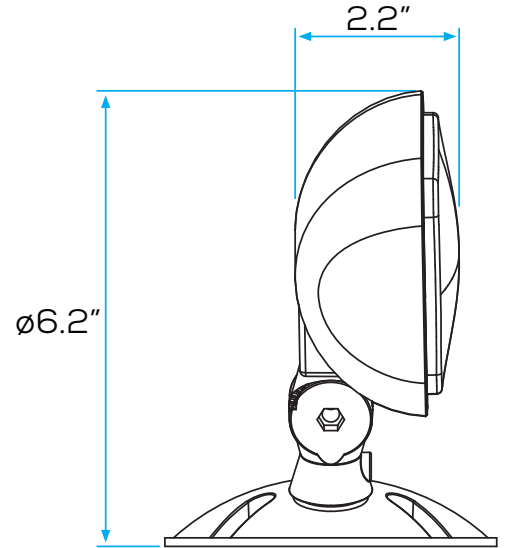
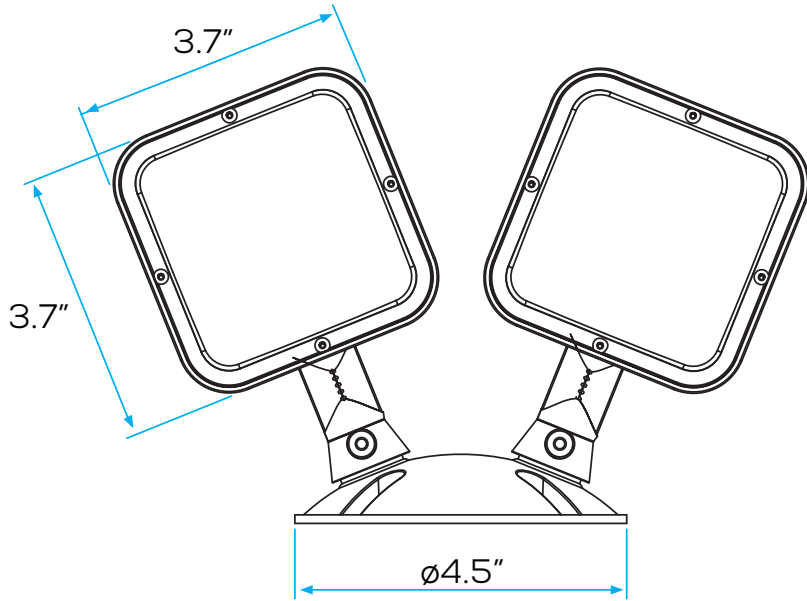


EXRHR-2 | LED EMERGENCY LIGHT

Project: _____ Type: _____

Name: _____ Date: _____

DIMENSIONS:





EXRHR-2 | LED EMERGENCY LIGHT

Project: _____ Type: _____

Name: _____ Date: _____

ORDER FORM:

(*) Special Order/Not Commonly Stocked

Custom Model Assembly

Fixture	CCT	Watts	Voltage
<input checked="" type="checkbox"/> EXRHR-2	<input checked="" type="checkbox"/> 6000K±500	<input checked="" type="checkbox"/> 2.4W	<input checked="" type="checkbox"/> 3.6-9.6V

SES-EXRHR-2
Example Model Number

SES — EXRHR-2 — 6000K±500 — 2.4W — 3.6-9.6V

Quantity

Fixture

Color

Watts

Voltage

Common Stock Models:

Item #	Model #
11149	SES-EXRHR-2

