



## OVERVIEW

- Applications:** Outdoor (IP65)
- Efficacy:** 130-137 lm/W
- Dimming:** 1-10V
- LED Type:** SMD 2835 (0.5W)
- Driver:** SOSEN
- Operating Temp:** -40° to 113° F
- Operating Humidity:** 10%-90% RH
- Lifespan:** 50,000 hours
- Warranty:** 5 years

## TECHNICAL SPECIFICATIONS

<b>Watts</b>	150W		
<b>Lumens</b>	± 20,000		
<b>Size</b>	17.7" (L) x 20.9" (W) x 26.2" (H)	<b>CCT</b>	5700K
<b>Voltage</b>	AC100-277V (50/60Hz)	<b>IP Rating</b>	IP65 (Water Resistant)
<b>Dimming</b>	1-10V	<b>Materials</b>	Aluminum, PC
<b>Beam Angle</b>	90°	<b>Finish</b>	Bronze
<b>CRI</b>	>80	<b>Lens</b>	Clear
<b>PF</b>	>0.9	<b>Lifespan</b>	50,000 hours

## FEATURES

### Optional Accessories:

- Photocell Sensor
- Shorting Cap
- Motion Sensor

SARIN's LED Post Top Pole Lights are meant to be mounted on top of a round pole or bracket. These area lights are safe for outdoor use and protected from rain, snow, and weak jets of water, such as sprinklers.

The light disk can rotate 90° in either direction from the downward position. They are compatible with photocell light sensors and motion sensors but do not come standard with either.





# GS02B | Post Top Pole Light

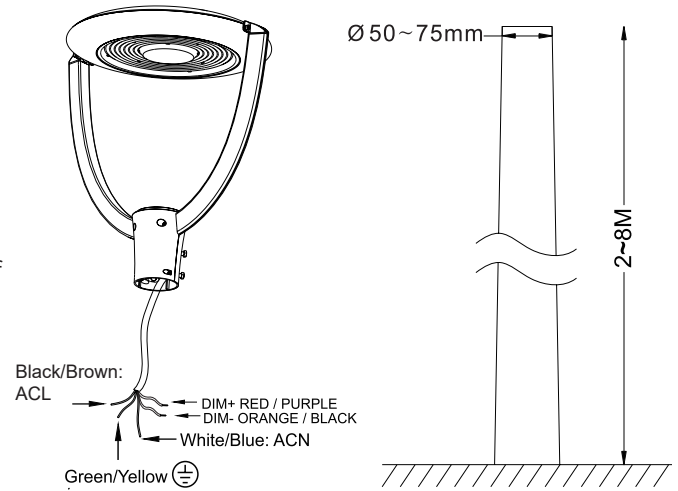
Project \_\_\_\_\_ Type \_\_\_\_\_

Notes \_\_\_\_\_ Date \_\_\_\_\_

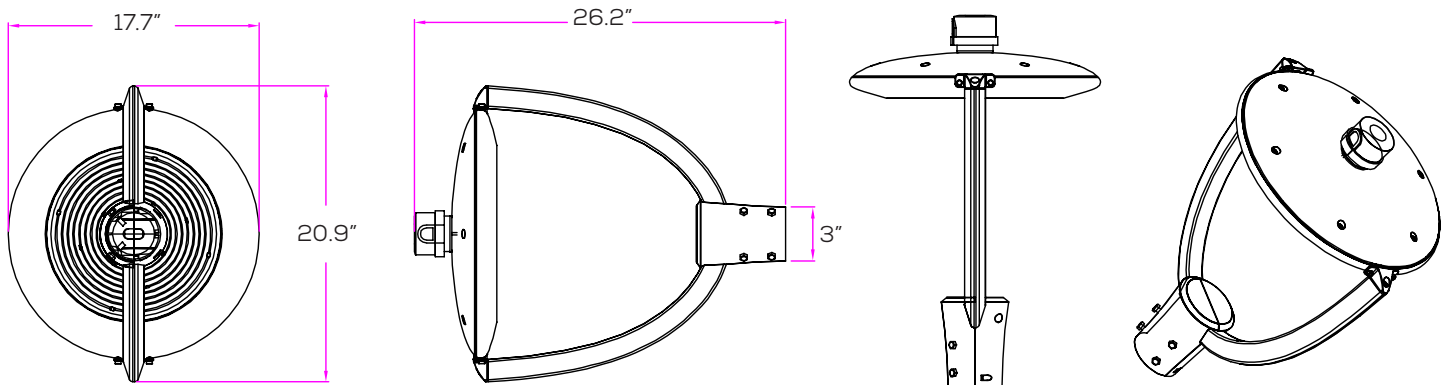
## INSTALLATION

### Warning:

1. Risk of fire or electric shock. LED retrofit kit installation requires knowledge of lighting electrical systems. If not qualified contact a certified electrician for installation.
2. Install this kit only in luminaires that have the construction features and dimensions shown in the drawings and where the input rating of the retrofit kit does not exceed the voltage rating of the luminaire.
3. Do not make or alter any open holes in an enclosure of wiring or electrical components during kit installation.
4. To prevent damage or abrasion to the wires, do not expose wiring to edges of sheet metal or other sharp objects.
5. This luminaire has been modified to operate LED lamps. Do not attempt to install fluorescent lamps in this light.



## DIMENSIONS



## COMMON STOCK MODELS

Item Code	Model Number
11169	SES-GS02B-5700-150